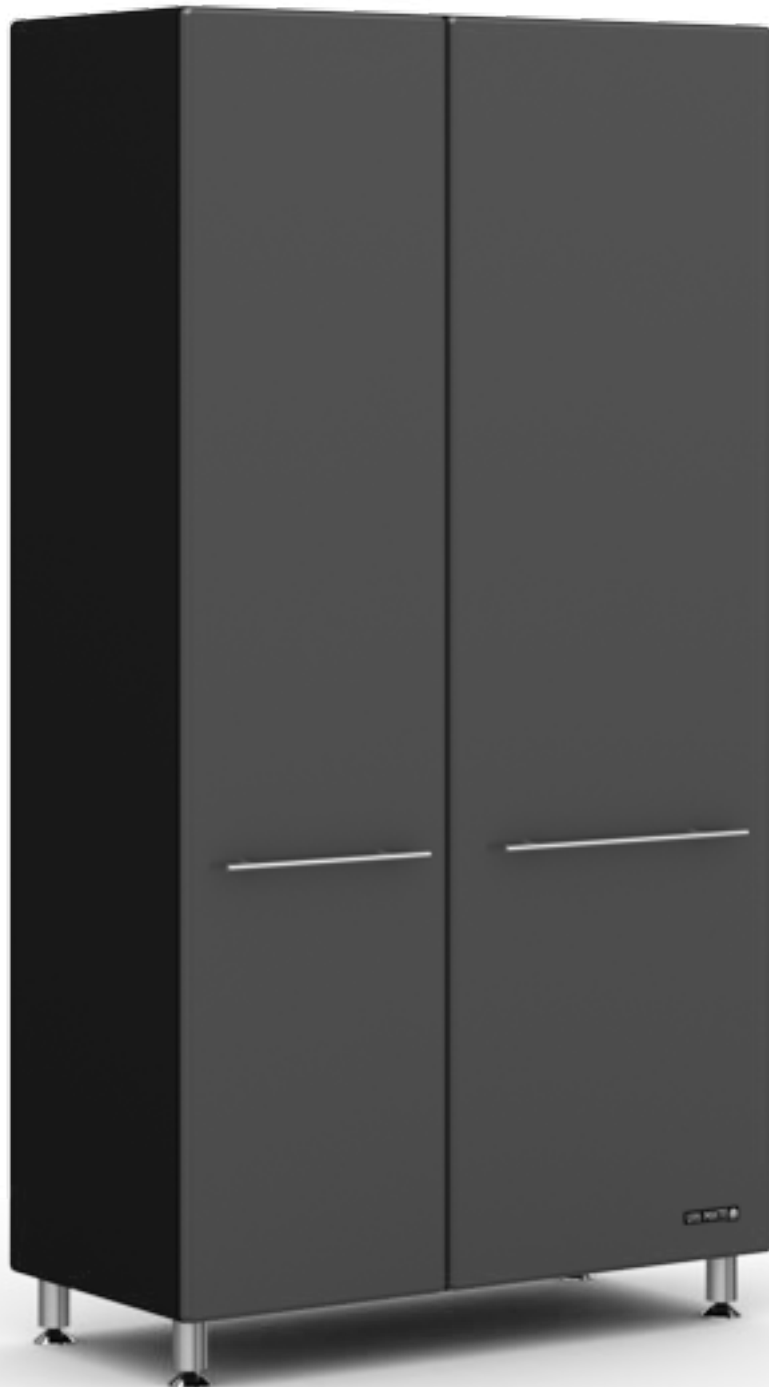


# Ulti MATE



## **JUMBO STORAGE UNIT**

**Model Number # GA-05**

**Heavy Duty, 2 Door, 7 Shelf  
Storage Tower**

**PLEASE DO NOT TAKE THIS  
PRODUCT BACK TO THE STORE!**

Most likely, stores do not stock spare parts and cannot help.

In the event that parts are missing.  
**PLEASE CALL: 800-344-7005**

**TWO PERSON (TEAM)  
ASSEMBLY IS STRONGLY  
RECOMMENDED.**

**PLEASE BUILD EXACTLY  
AS SHOWN.**

## **ASSEMBLY INSTRUCTIONS**

# PARTS LIST

# Ulti MATE

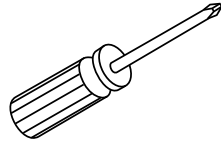


**JUMBO STORAGE MODEL #GA-05**

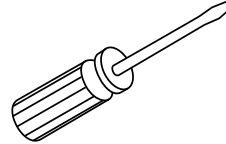
Using the Parts List below, check to make sure all parts are included. Instructions will reference Part Letters found in this list. In the event that parts are missing or damaged.

**PLEASE CALL: 800-344-7005**

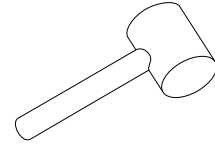
## TOOLS NEEDED FOR ASSEMBLY



Phillips Screw Driver



Flat Screw Driver



Rubber Mallet

#	DESCRIPTION	QTY	IMAGE
a	Back Panel	3	
b	Back Spanner	2	
c	Side Panel (LEFT)	1	
d	Side Panel (RIGHT)	1	
e	Base Panel	1	
f	Top Panel	1	

#	DESCRIPTION	QTY	IMAGE
g	Door (LEFT)	1	
h	Door (RIGHT)	1	
i	Shelf (LEFT)	1	
j	Shelf (RIGHT)	1	
k	Panel (MIDDLE)	1	
l	Adjustable Shelf (LEFT)	3	
m	Adjustable Shelf (RIGHT)	2	

# PARTS LIST Uti MATE



**JUMBO STORAGE MODEL #GA-05**

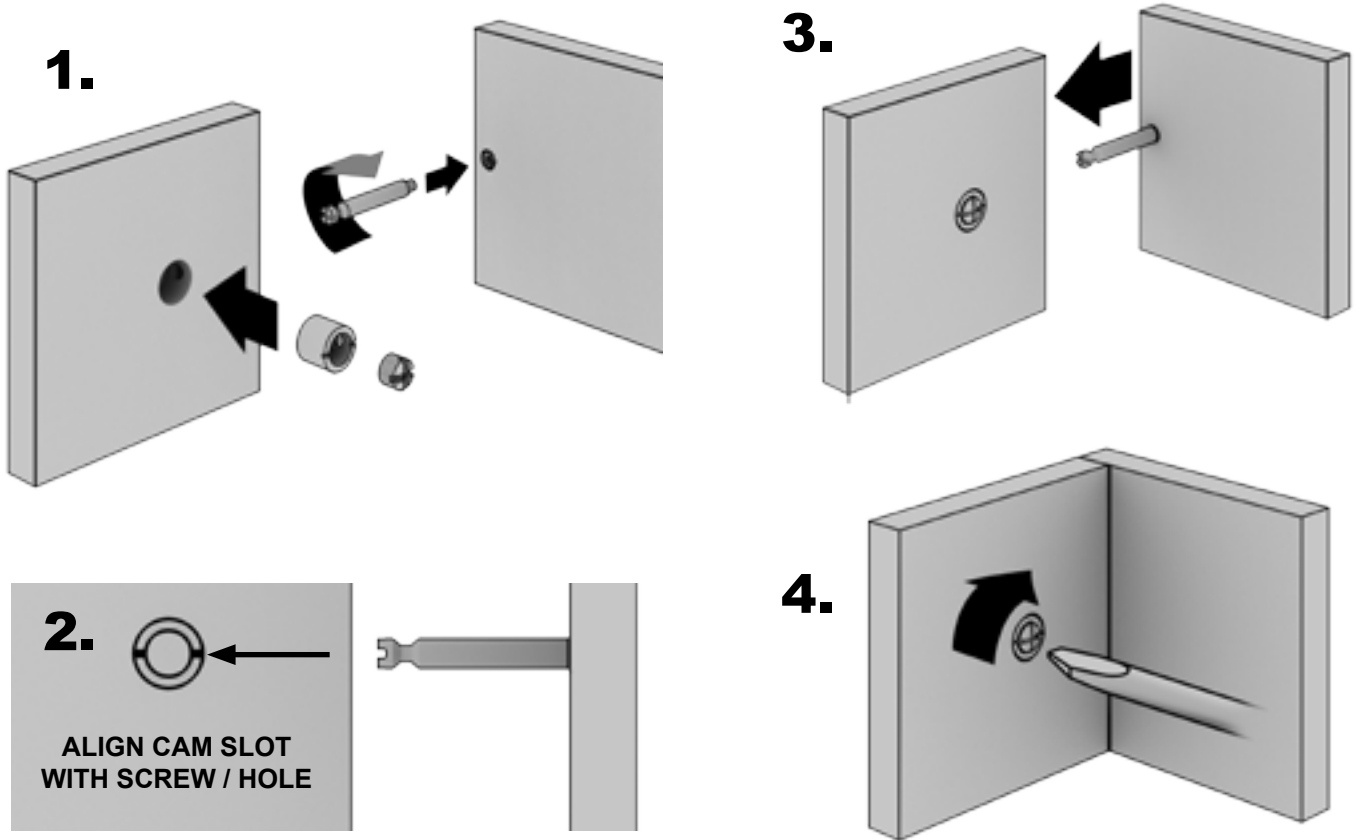
Using the Parts List below, check to make sure all parts are included. Instructions will reference Part Letters found in this list. In the event that parts are missing or damaged.

**PLEASE CALL: 800-344-7005**

#	DESCRIPTION	QTY	IMAGE	#	DESCRIPTION	QTY	IMAGE
aa	Screw (4.5 x 42mm)	6		ii	Spring Washer	4	
bb	Wooden Dowel	12		jj	Screw (M4 x 15mm) Pre Installed	16	
cc	Cam	22		kk	Hinge	8	
dd	Metal Dowel	22		ll	Screw (M3.5x12mm)	48	
ee	Foot	4		mm	Shelf Pin	20	
ff	Screw (M5x25)	4		nn	Corner Support	12	
gg	Pull (LEFT)	1		oo	Screw	12	
hh	Pull (RIGHT)	1		pp	Washer	2	
				qq	Anchor	2	
				rr	Touch Up Paint	1	

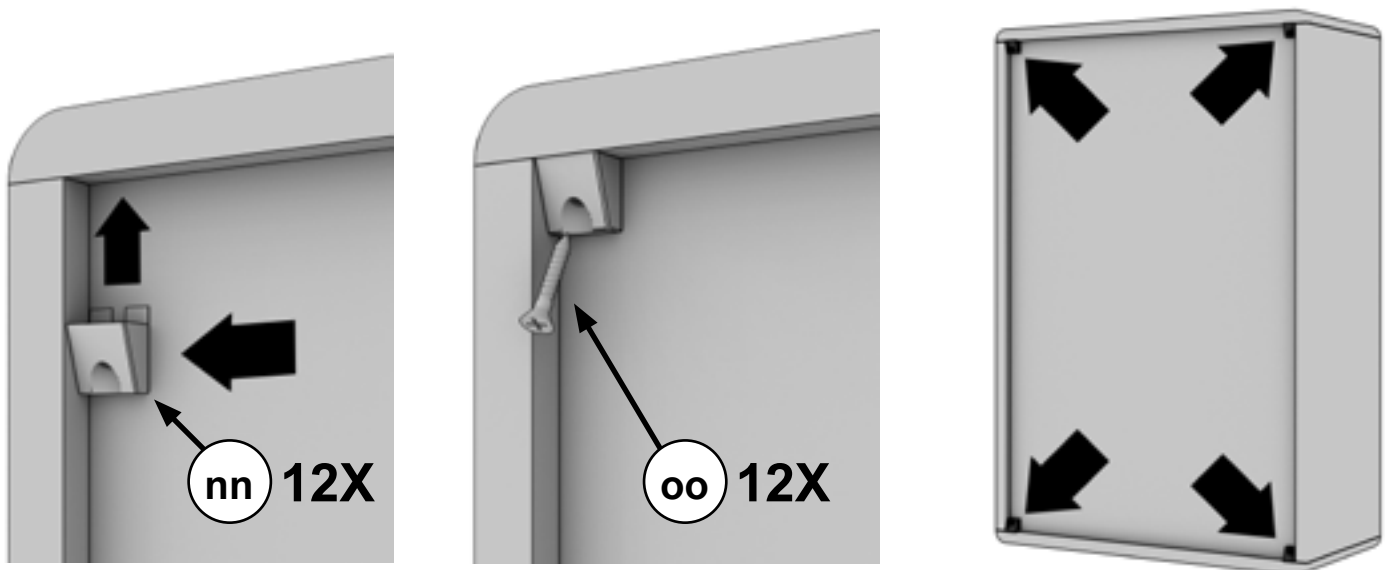
# BEFORE YOU BEGIN

CAM STYLE FASTENERS ARE USED THROUGHOUT THE ASSEMBLY OF THIS CABINET. ASSEMBLE ALL CAMS AS SHOWN BELOW.

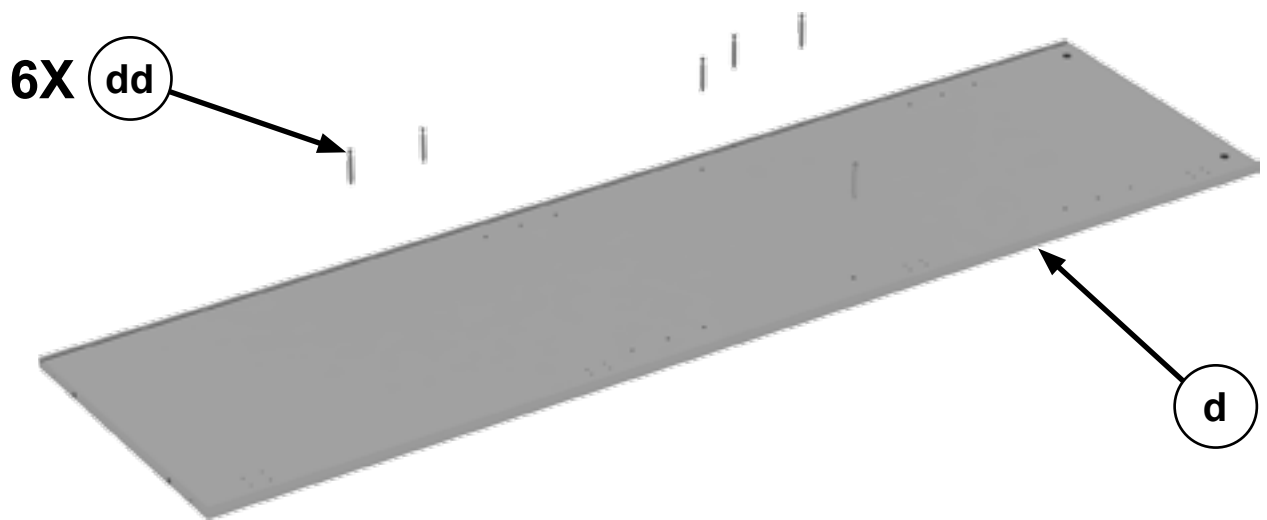


# WHEN YOU FINISH

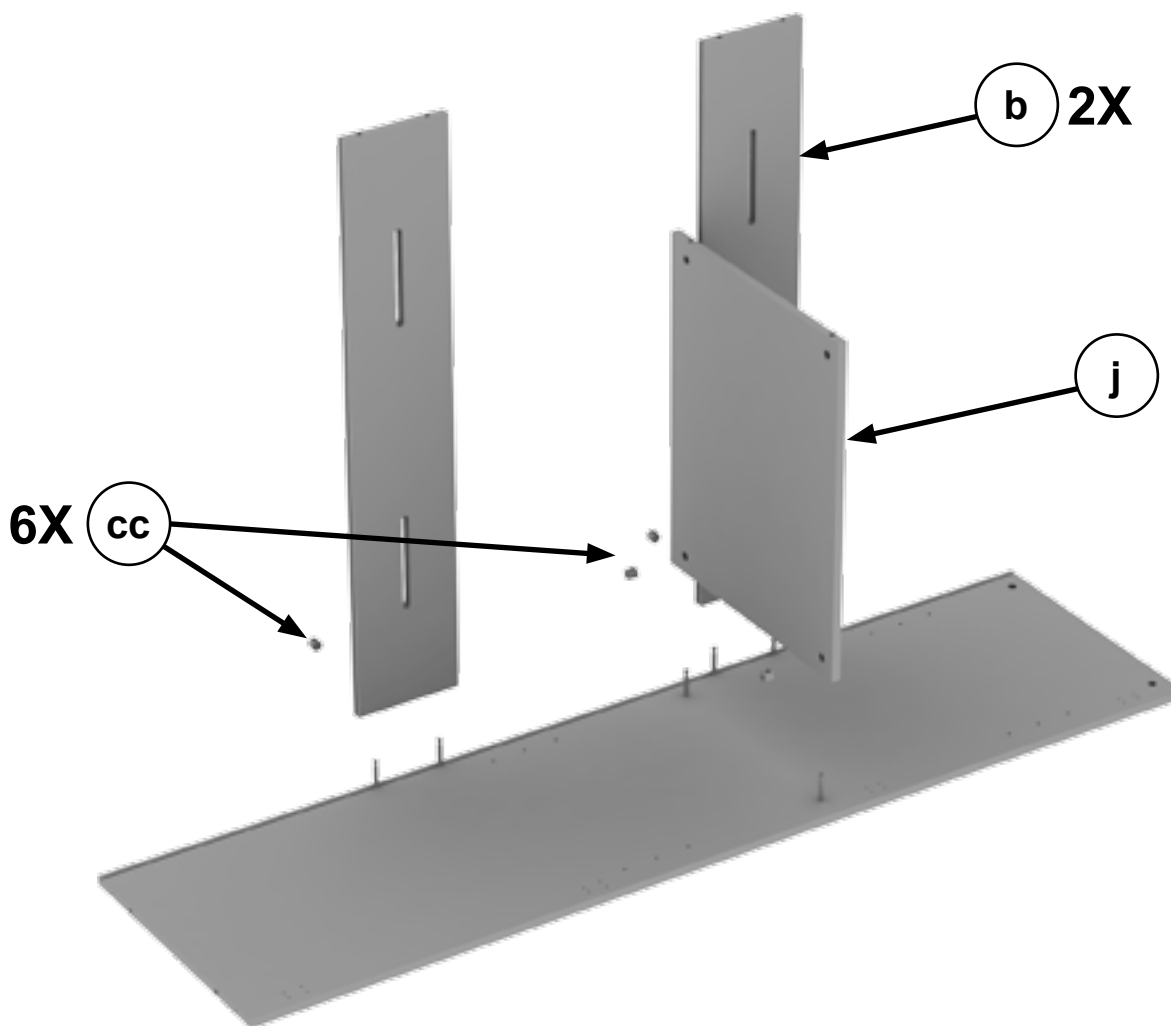
ADDING CORNER SUPPORTS TO THE BACK WILL GREATLY INCREASE THE STRENGTH OF YOUR CABINET.



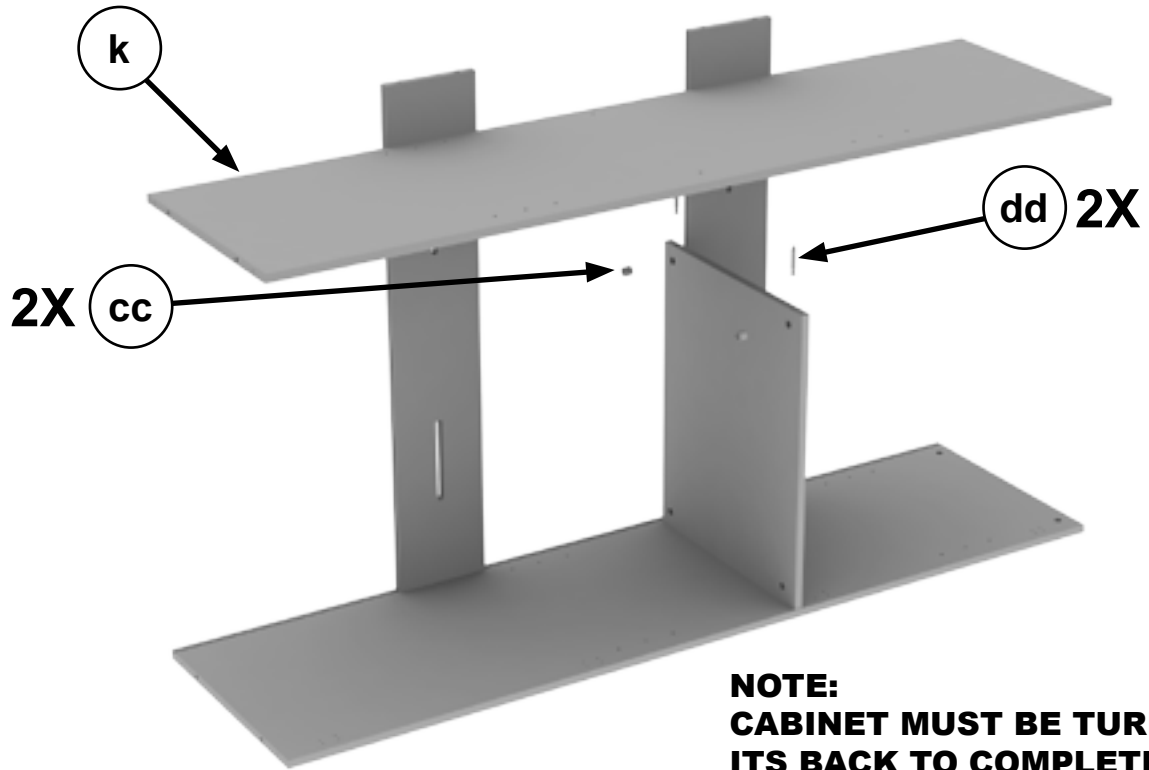
# STEP 1



# STEP 2

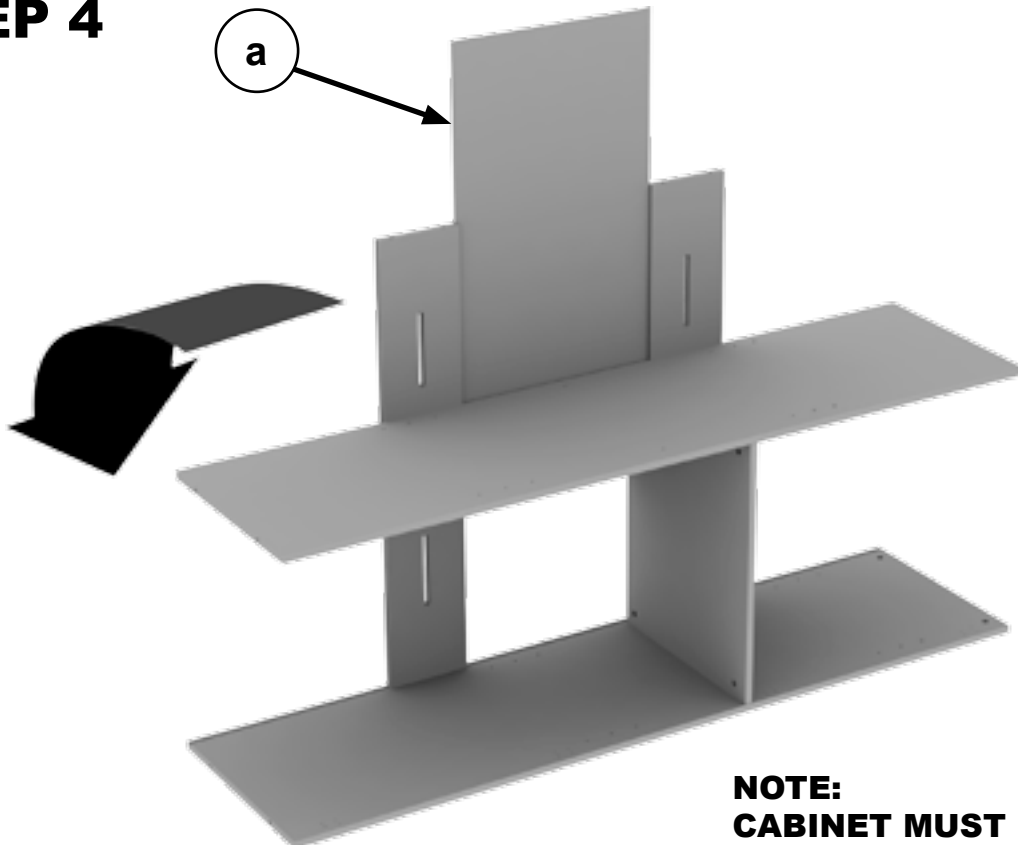


### STEP 3



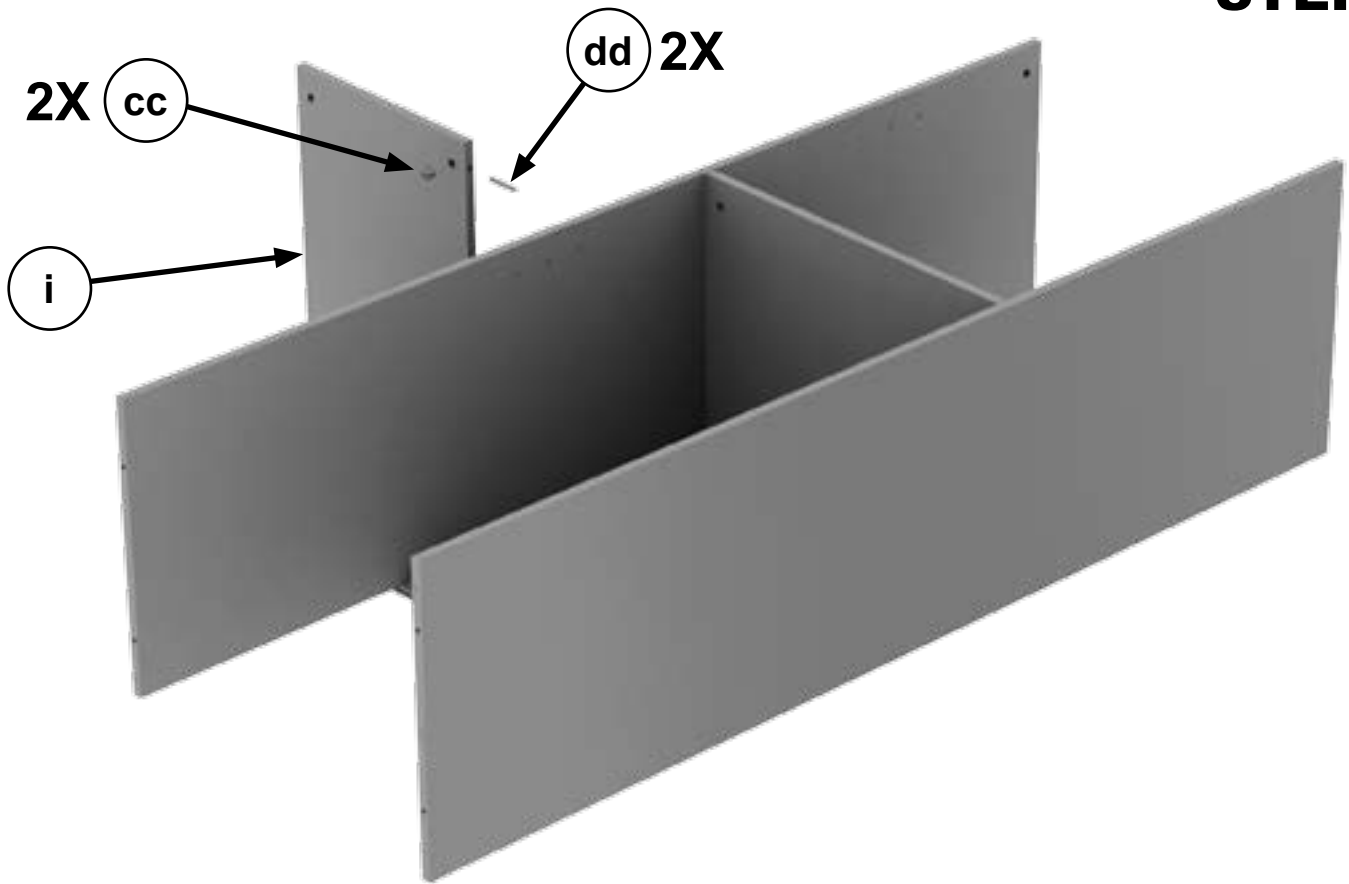
**NOTE:**  
CABINET MUST BE TURNED ONTO  
ITS BACK TO COMPLETE STEPS 3  
AND 4.

### STEP 4

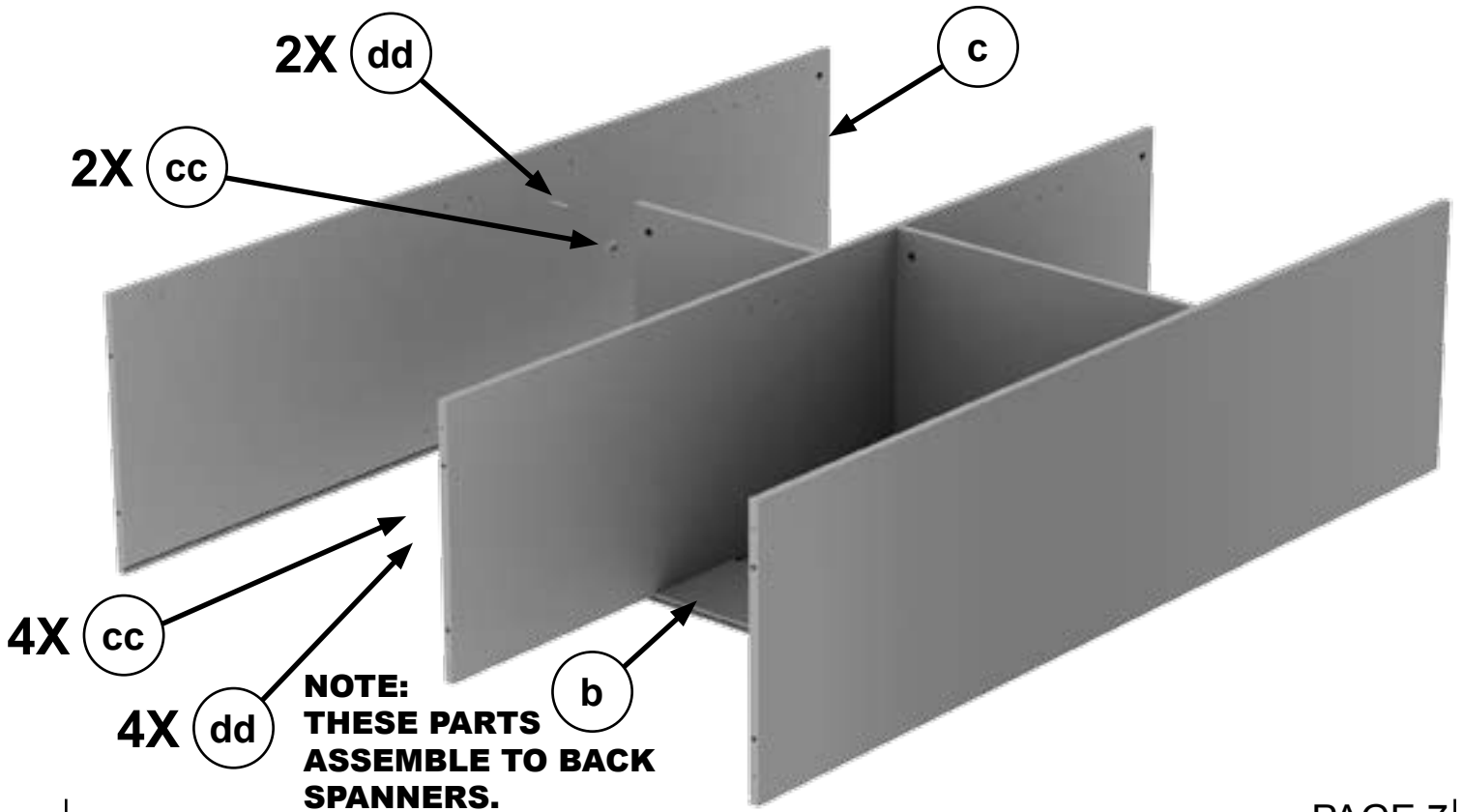


**NOTE:**  
CABINET MUST BE TURNED ONTO  
ITS BACK TO COMPLETE STEPS 3  
AND 4.

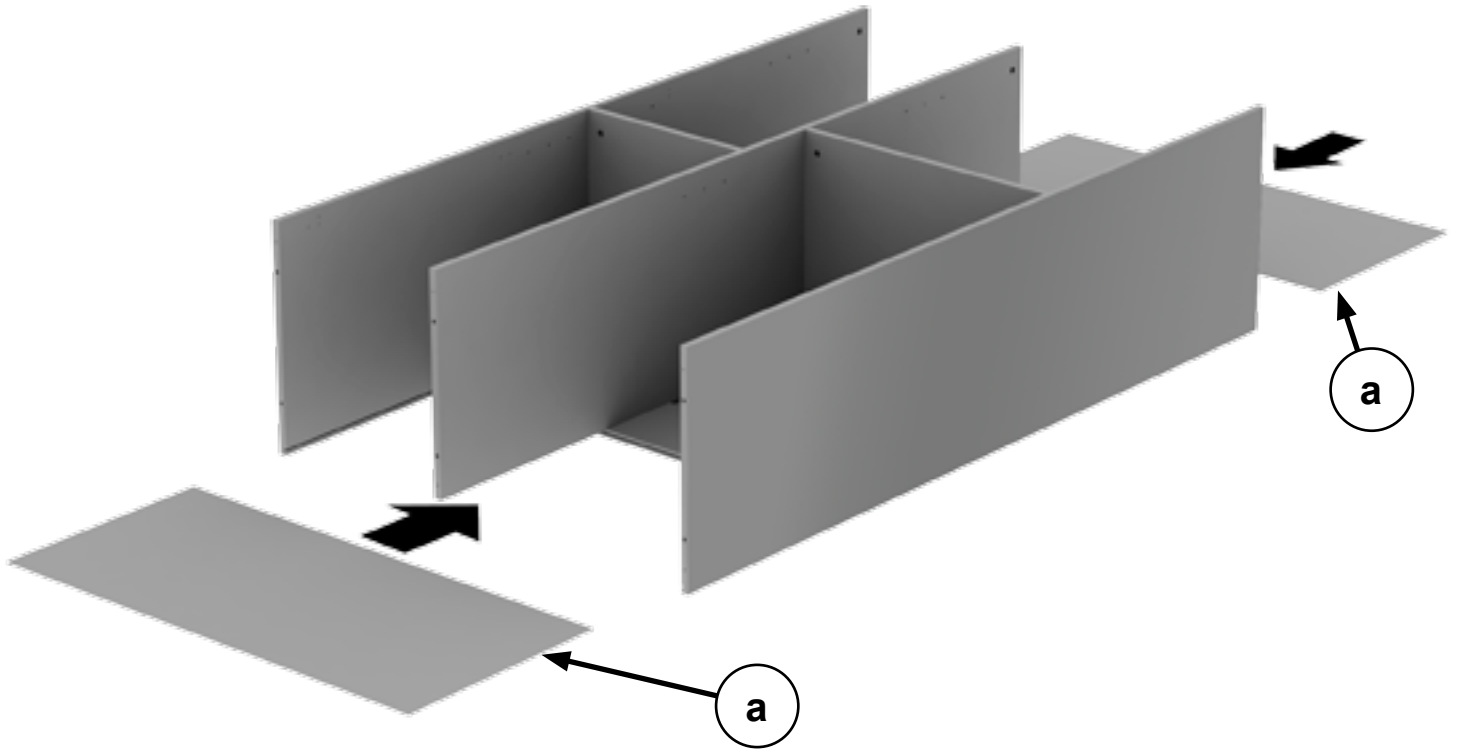
**STEP 5**



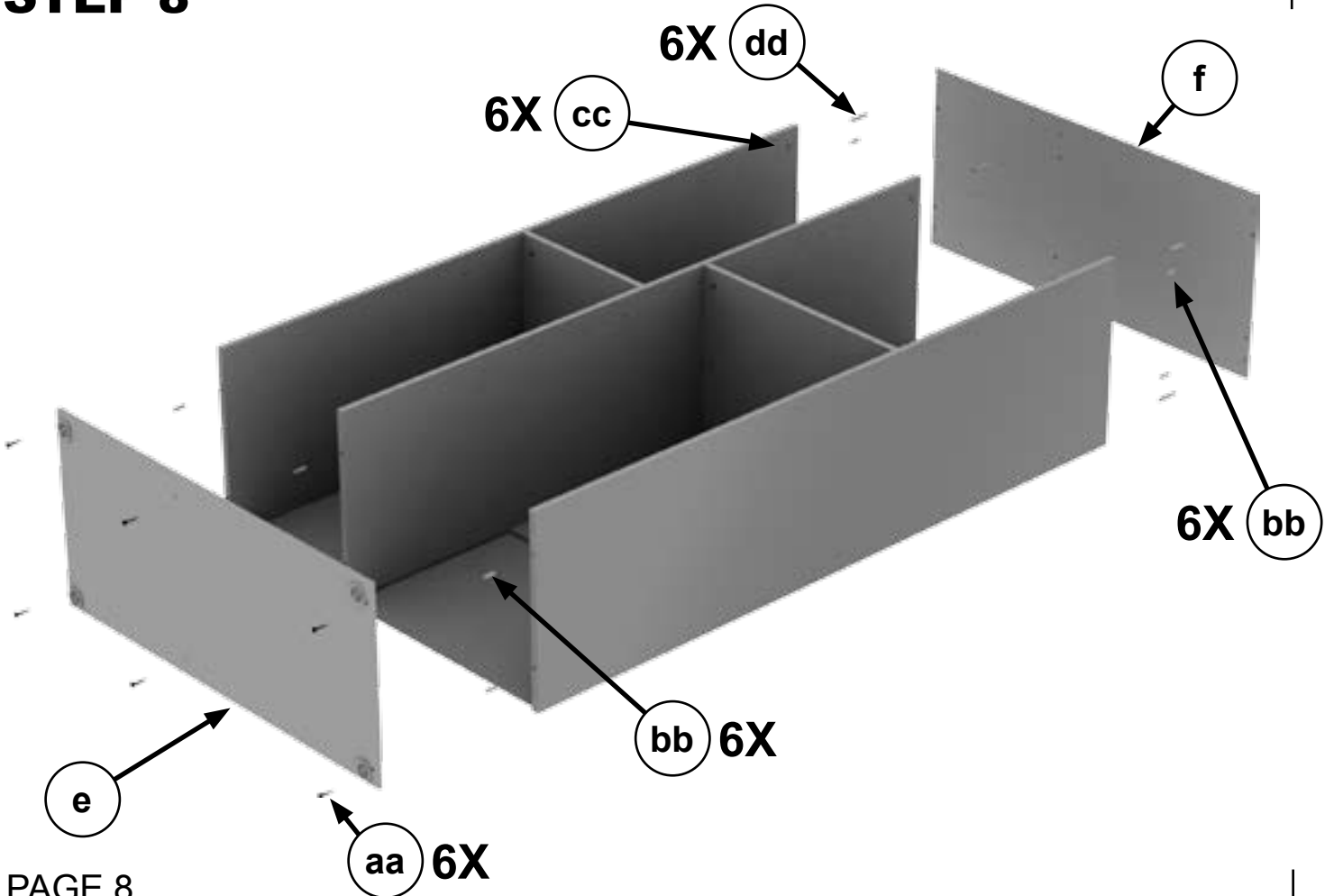
**STEP 6**



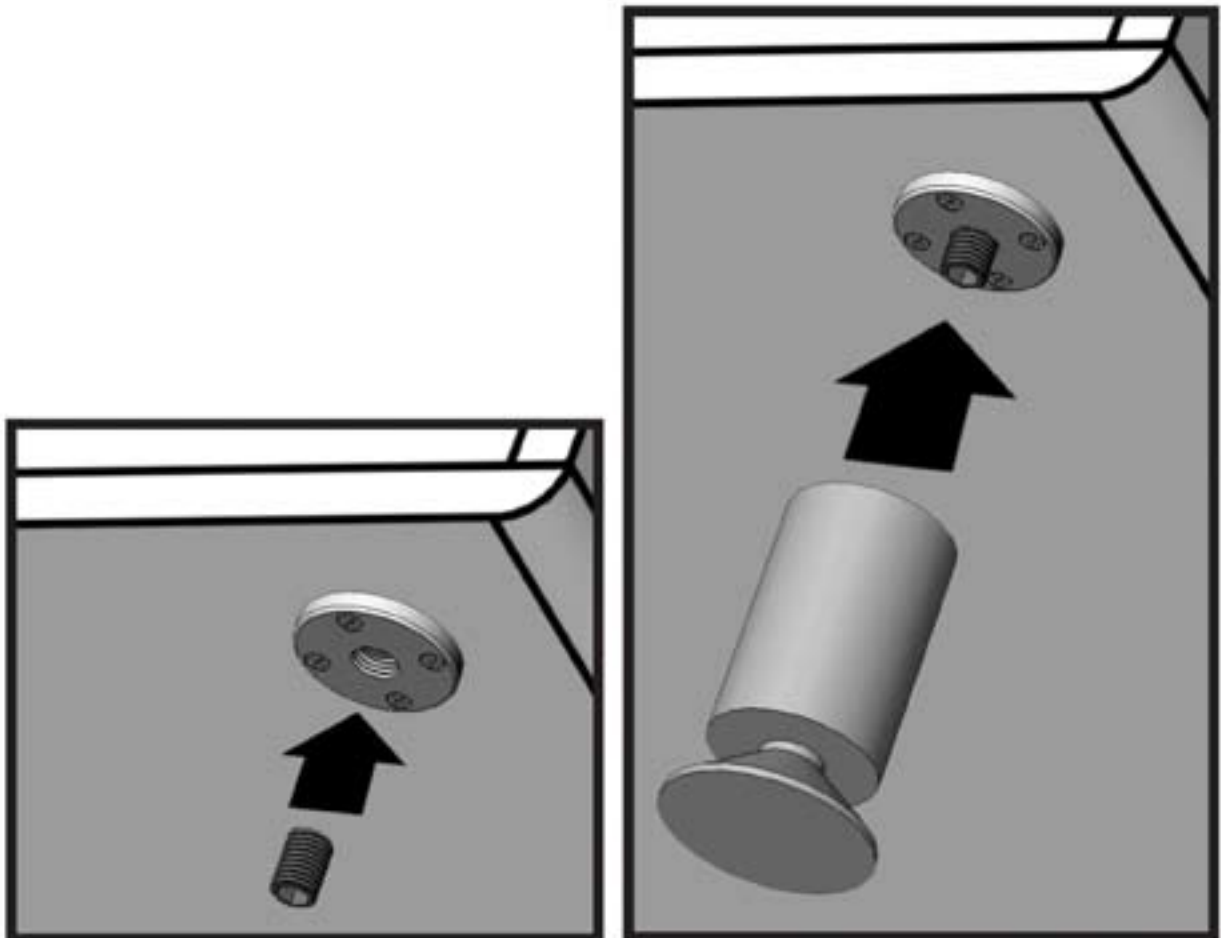
# STEP 7



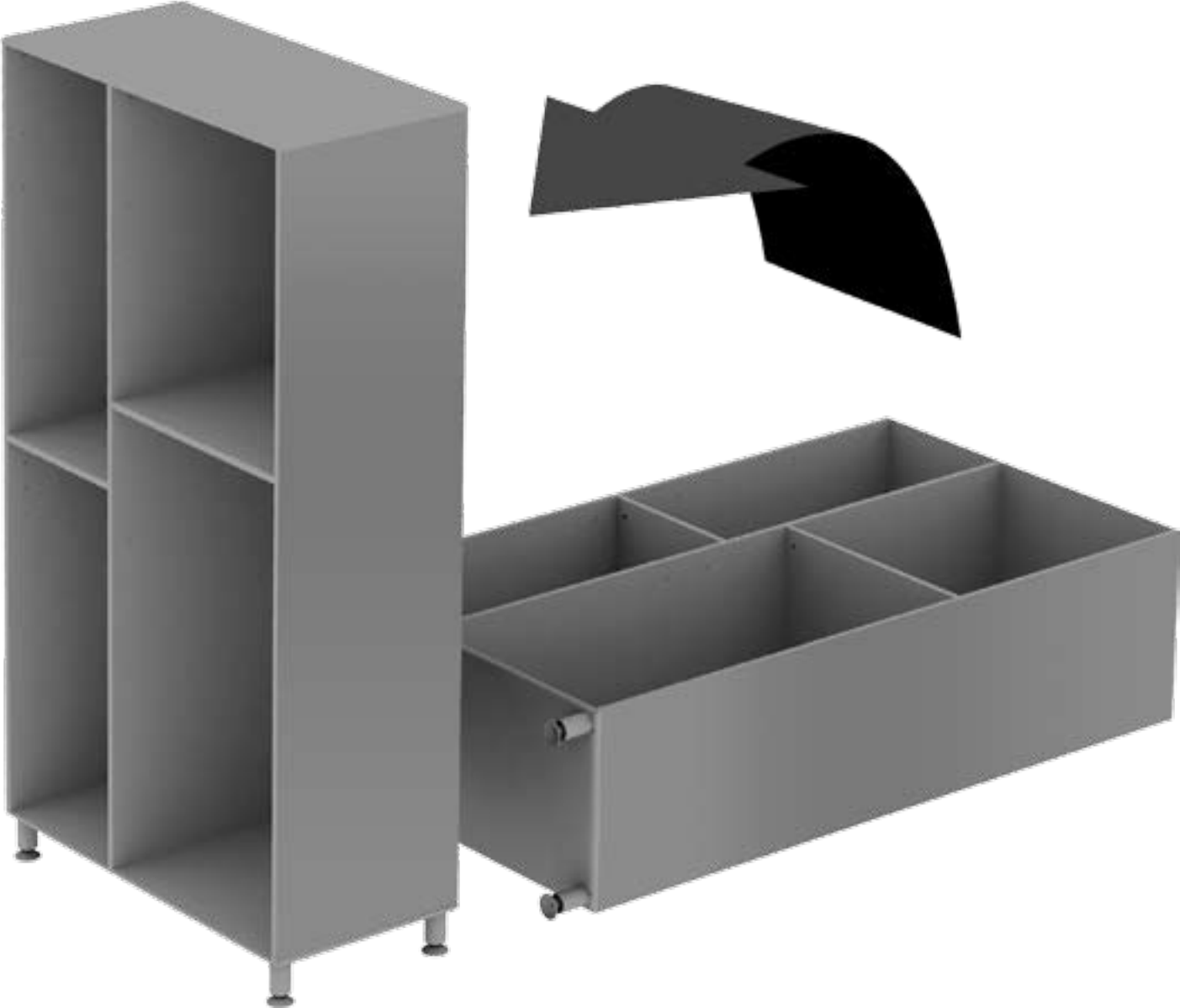
# STEP 8



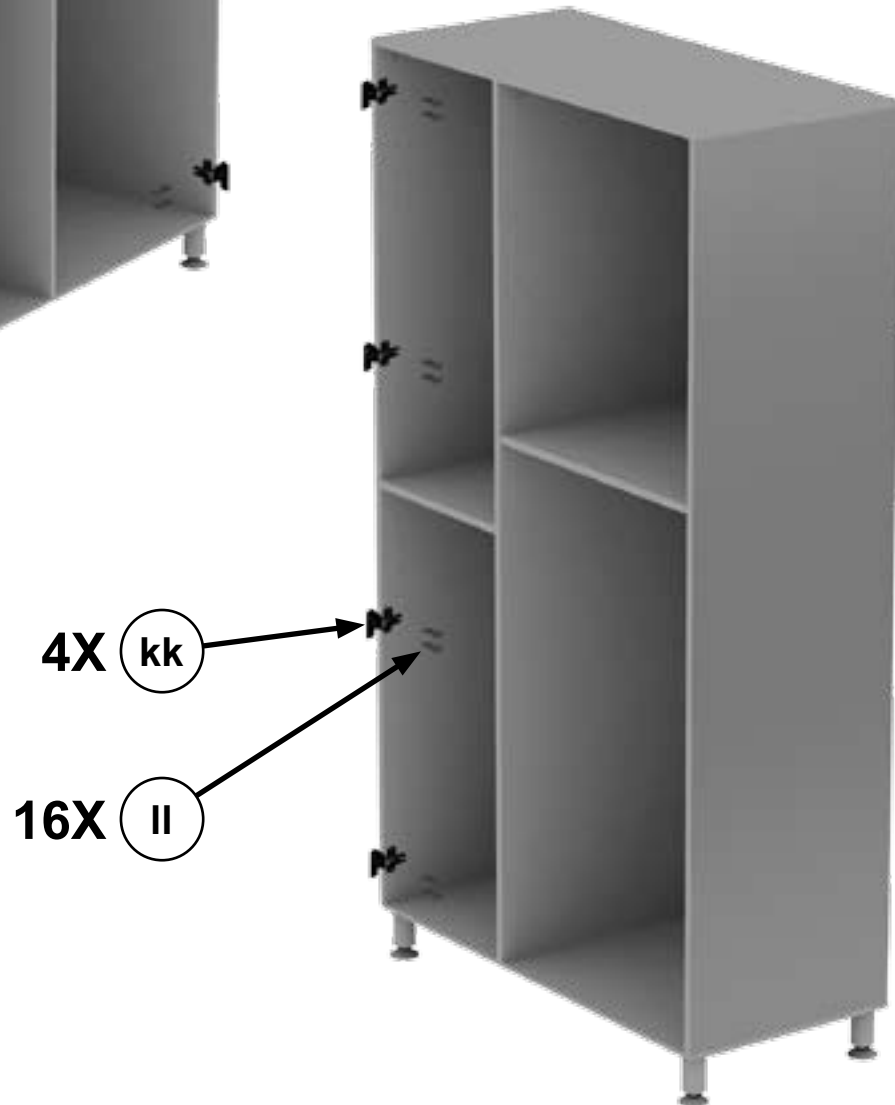
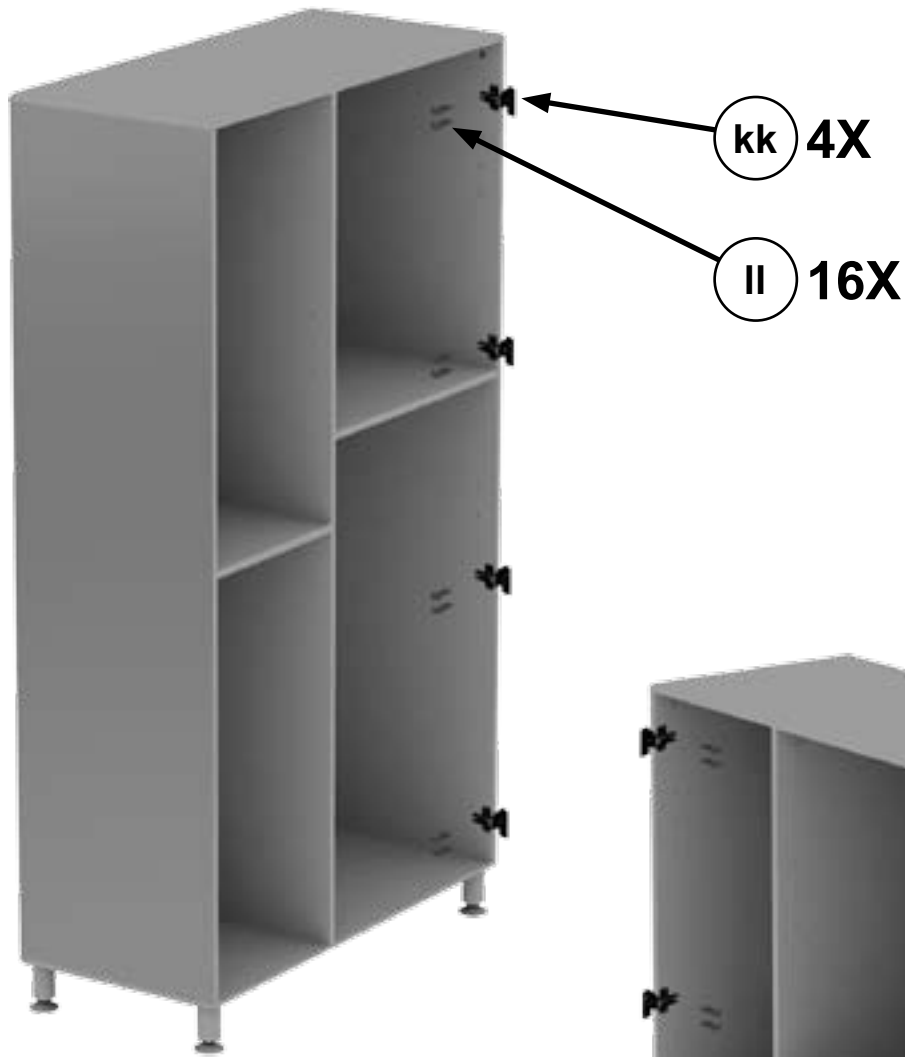
**4X** **ee**



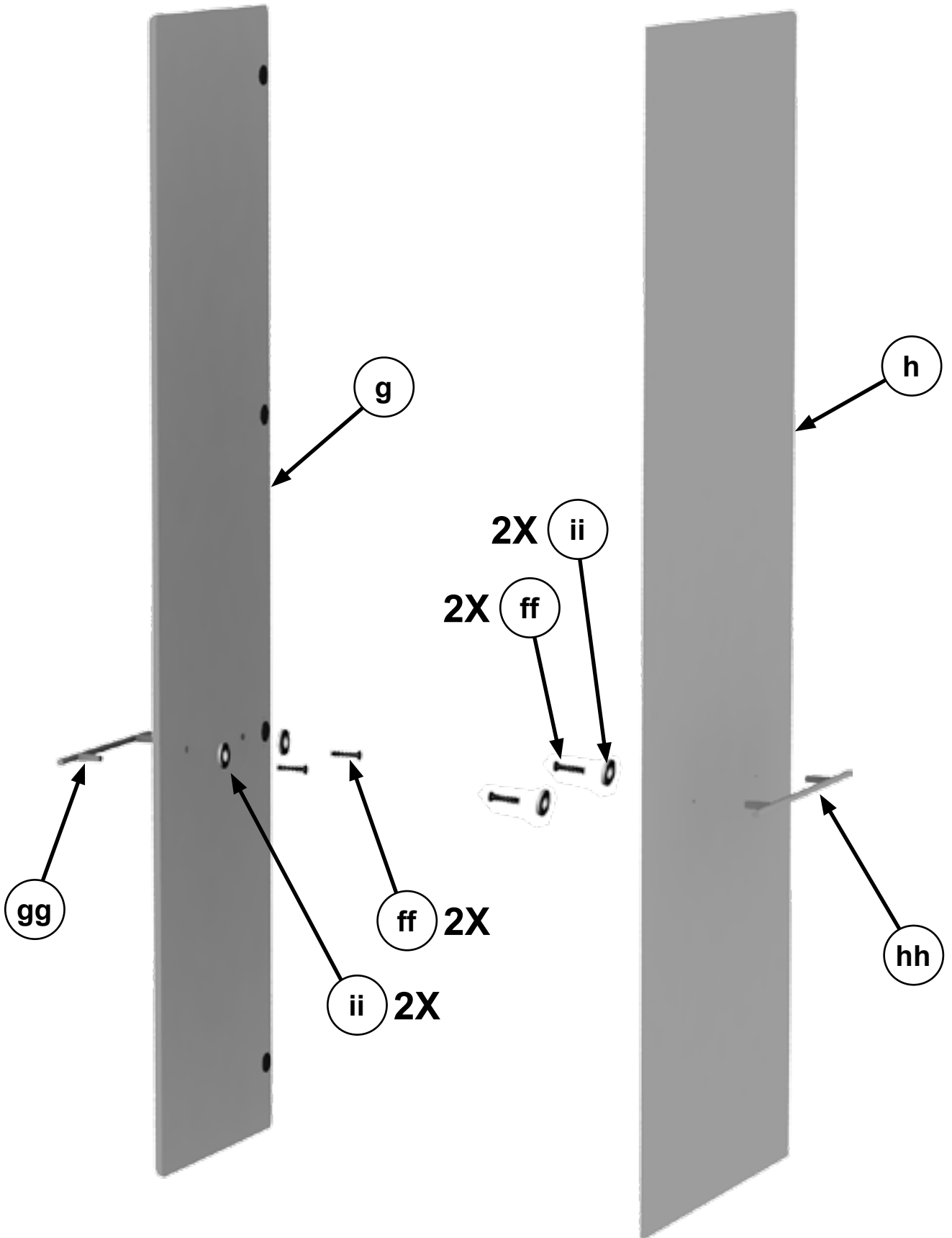
**STEP 10**

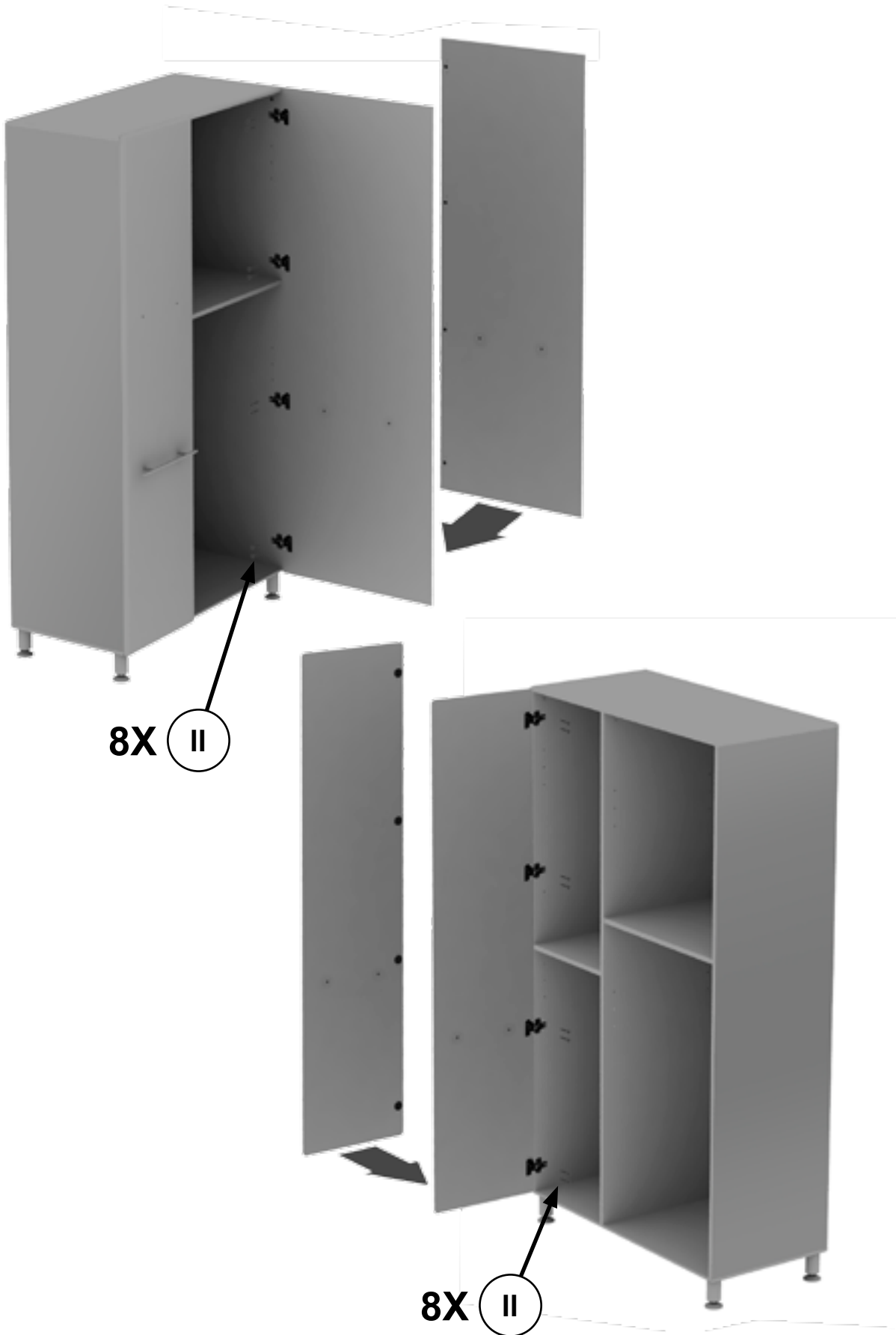


**NOTE:  
BE VERY CAREFUL LIFTING CABINET**

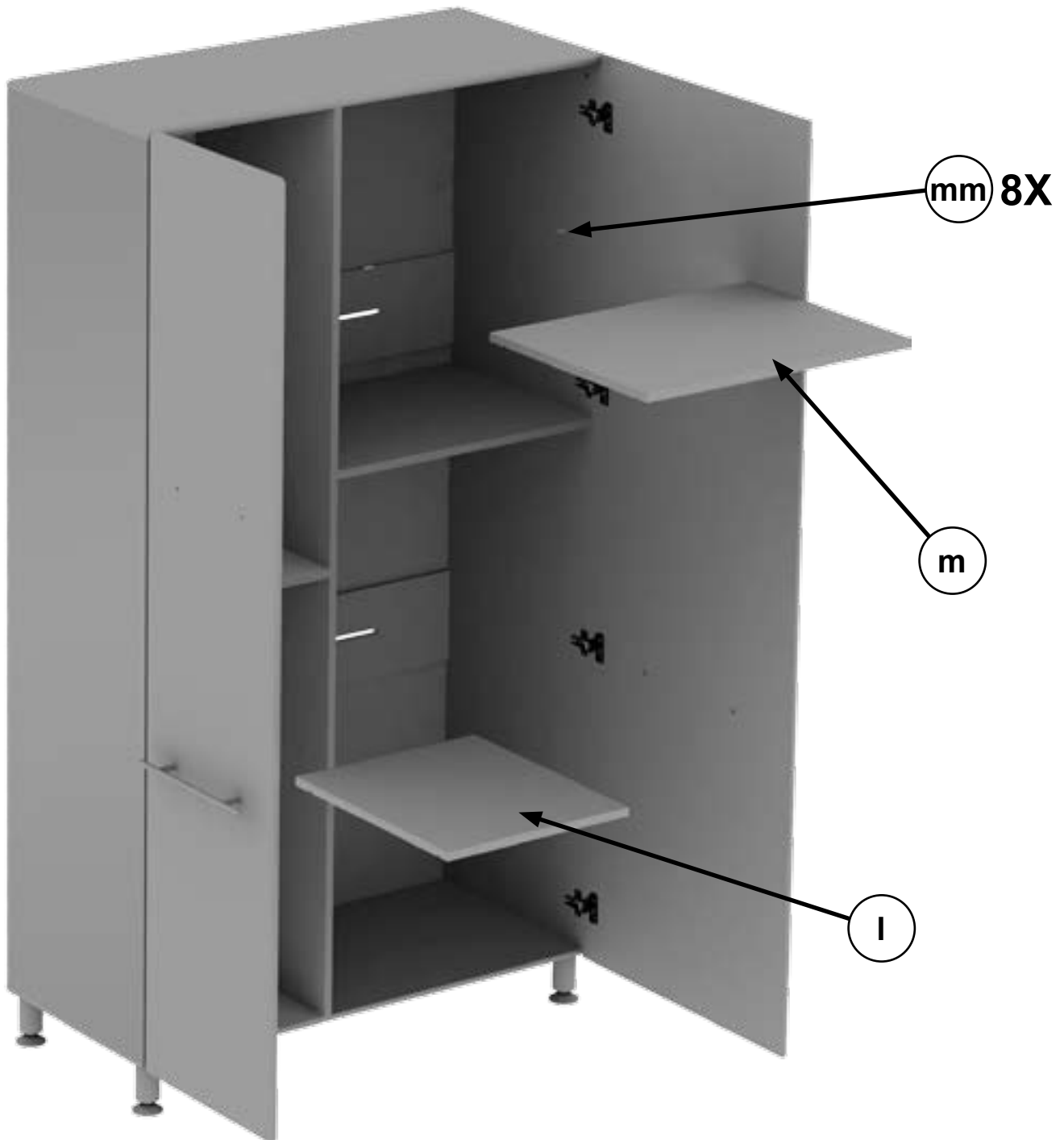


**STEP 12**





## STEP 13



**NOTE:**

You may want to secure the finished unit onto the wall through the spanners using wood / drywall screws for added stability.