



ASSEMBLY INSTRUCTIONS

Two Door Medium Base Cabinet

Model Number: UG21002

In the event of missing or damaged parts:

PLEASE CALL: 949-713-3338

NOTE: Do Not Call Retailer - Contact Manufacturer Direct For Faster Service.



Uti-MATE Garage | 30021 Tomas, Rancho Santa Margarita, CA 92688.
T: 949-713-3338 | W: www.ulti-mategarage.com

Rev 1.02

PARTS LIST











BASE CABINET MODEL: UG21002

In the unlikely event of missing or damaged parts
PLEASE CALL : 949-713-3338

WEB: www.ulti-mategarage.com

TOOLS NEEDED
 FOR ASSEMBLY



#	DESCRIPTION	QTY	IMAGE	#	DESCRIPTION	QTY	IMAGE
a	Top Work Surface	1		f	Wall Cleat	1	
b	Bottom Panel	1		g	Back Panel	1	
c	Side Panel	2		h	Shelf	1	
d	Top Spanner	1		i	Left Door	1	
e	Bottom Spanner	1		j	Right Door	1	

PARTS LIST

BASE CABINET MODEL: UG21002

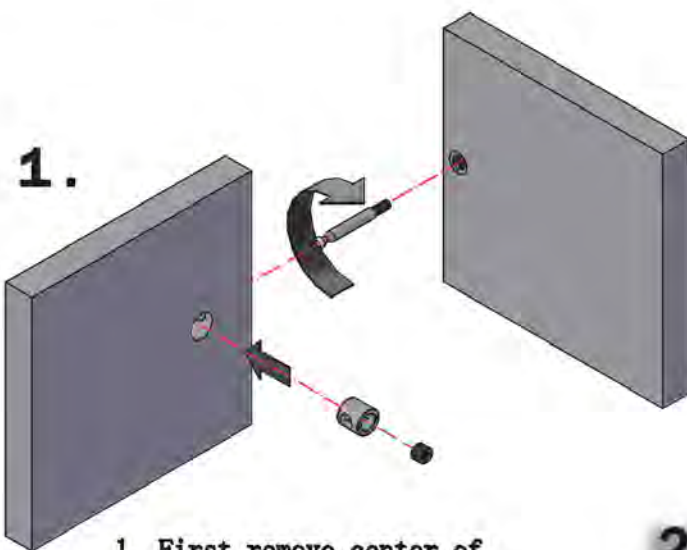
In the unlikely event of missing or damaged parts
PLEASE CALL : 949-713-3338

WEB: www.ulti-mategarage.com

#	DESCRIPTION	QTY	IMAGE	#	DESCRIPTION	QTY	IMAGE
aa	Logo	1		kk	Hinge	4	
bb	Pull	2		ll	key	2	
cc	Pull Screw 4*24mm	4		mm	Lock Hardware (Door)	1	
dd	Cam	16		nn	Lock Hardware (Top Panel)	1	
ee	Metal Dowel	16		oo	Screw 4*16mm	28	
ff	Wooden Dowel	8		pp	Adjustable Foot	4	
gg	Wall Anchor Screw 4.5*50mm	2		qq	Shelf Clip	4	
hh	Wall Anchor	2		rr	Hole Cover	1	
ii	Wall Cleat Grommet	2		ss	Touch up Crayon	1	
jj	Screw 5*15mm	4		tt	Screw 3.5*14mm	4	

BEFORE YOU BEGIN

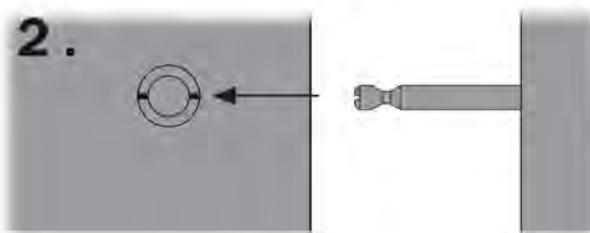
CAM STYLE FASTENERS ARE USED THROUGHOUT THE ASSEMBLY OF THIS CABINET. ASSEMBLE ALL CAMS AS SHOWN BELOW.



1.

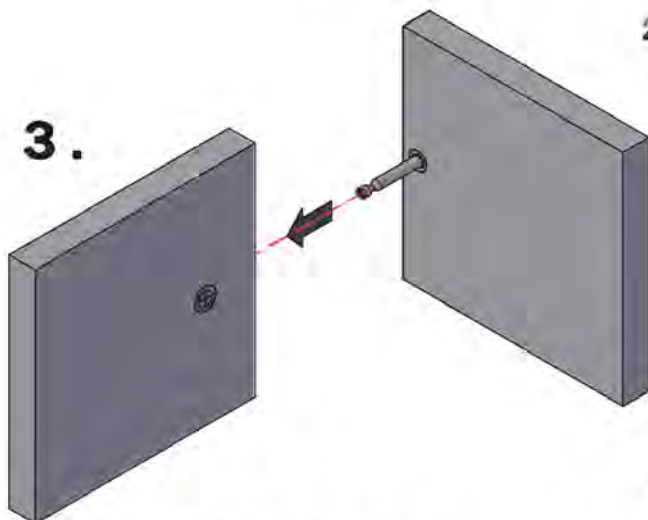
1. First remove center of Cam before inserting Cam outer ring into panel.

NOTE: After removing Cam(dd) screw, put in safe place. Make sure Cam is aligned as pictured and fully seated in hole. Test by inserting Metal Dowel(ee) into Cam. If Metal Dowel(ee) can't fully be inserted into Cam, pull out Cam and with flat head screwdriver, gently scrape away and loose wood and reinsert Cam properly aligned.



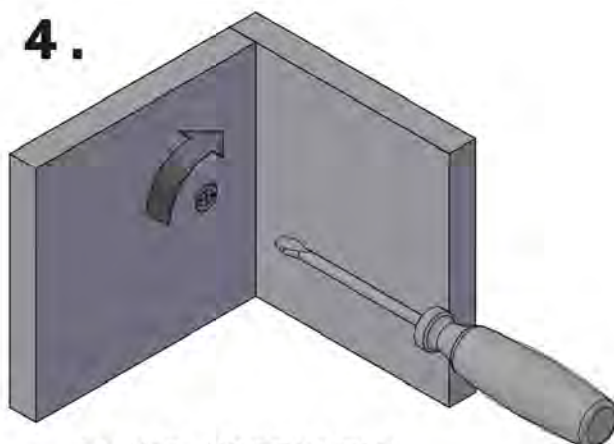
2.

2. ALIGN CAM SLOT & HOLE FOR METAL DOWEL



3.

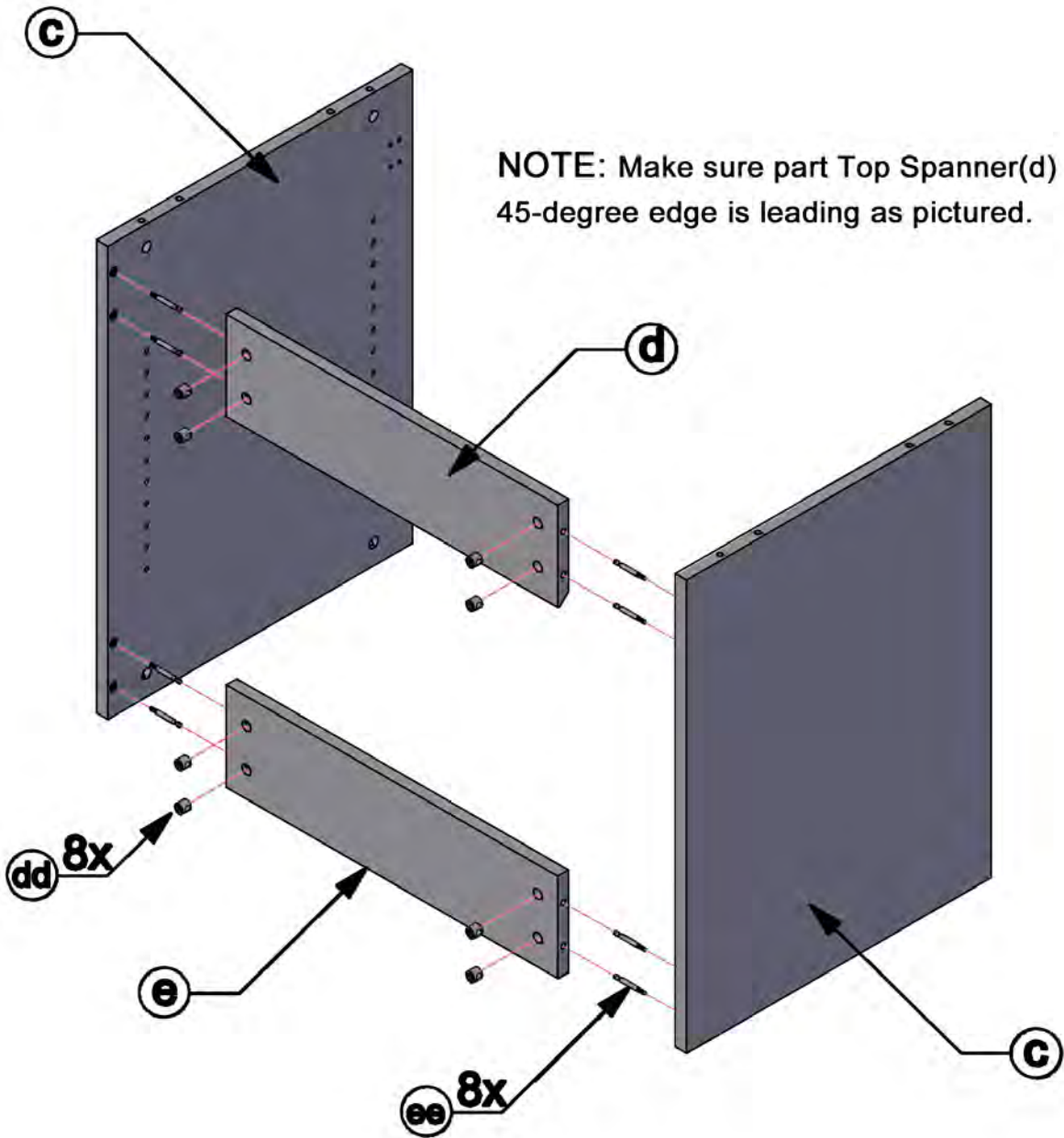
3. Install Metal Dowel (ee) into Cam outer ring before installing center of Cam into Cam outer ring (to prevent center of Cam blocking Dowel)



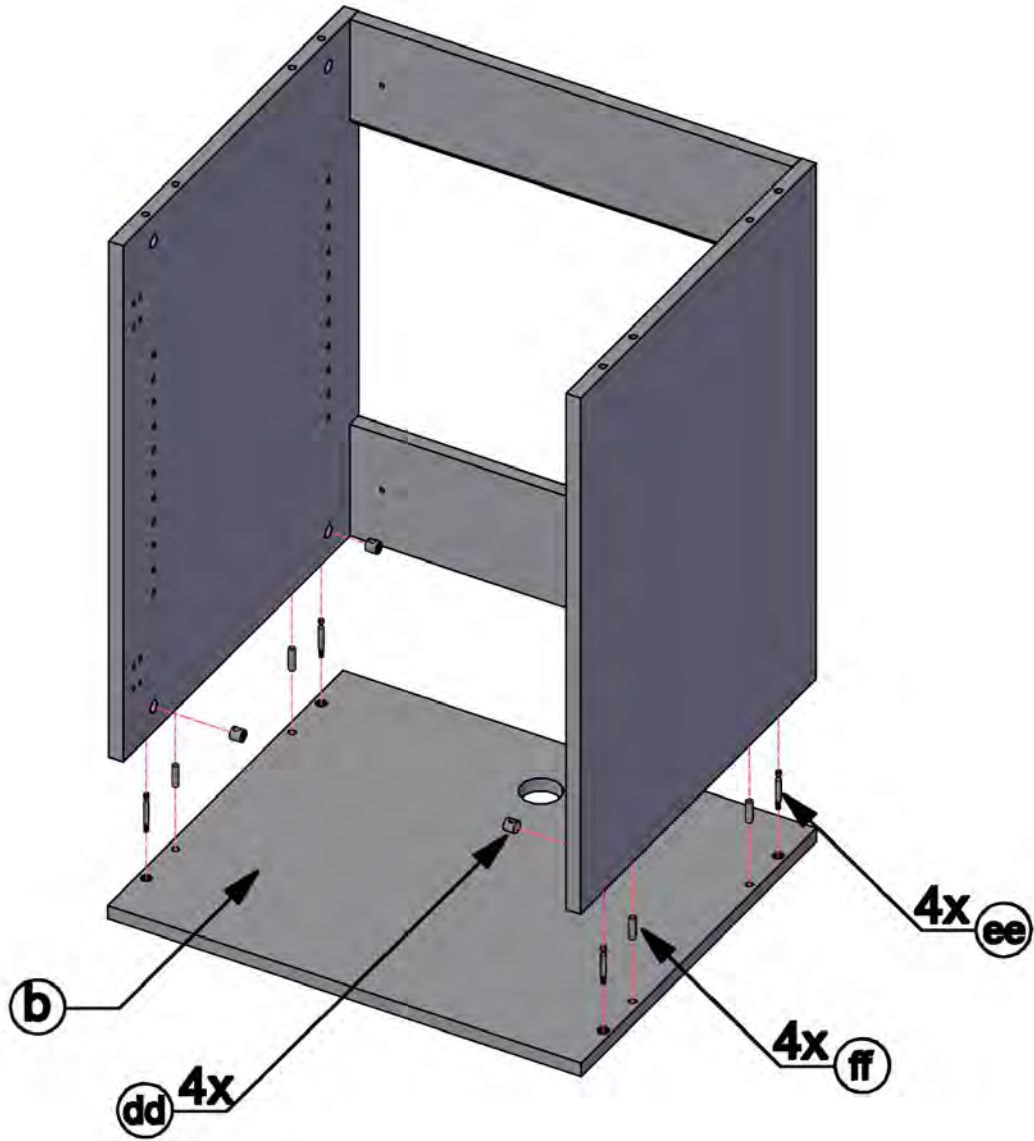
4.

DO NOT OVERTIGHTEN

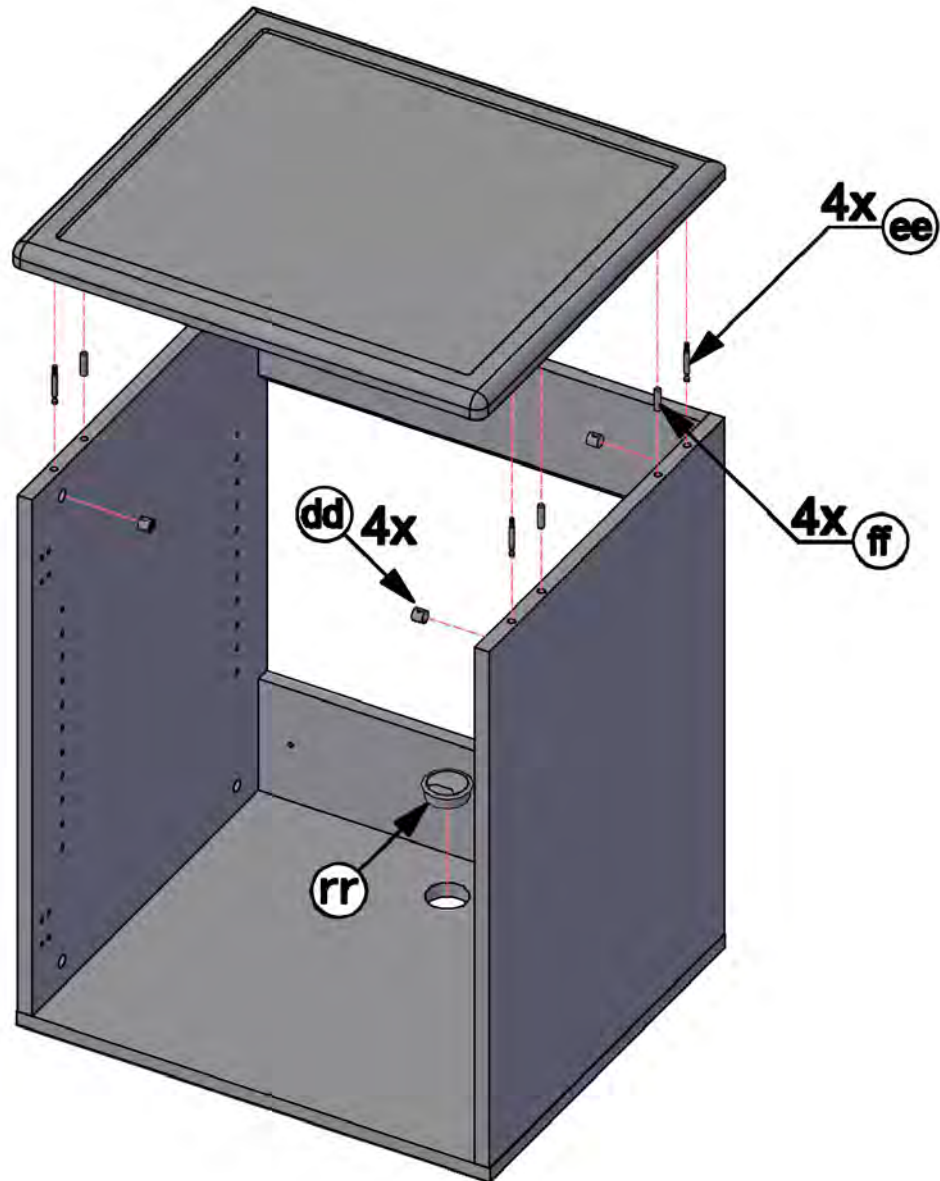
STEP 1



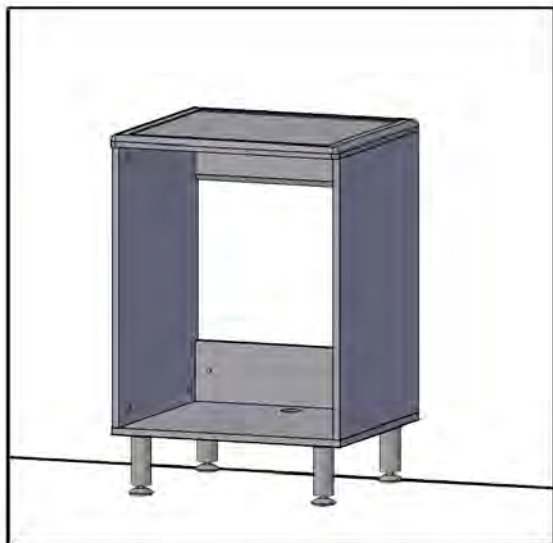
STEP 2



STEP 3

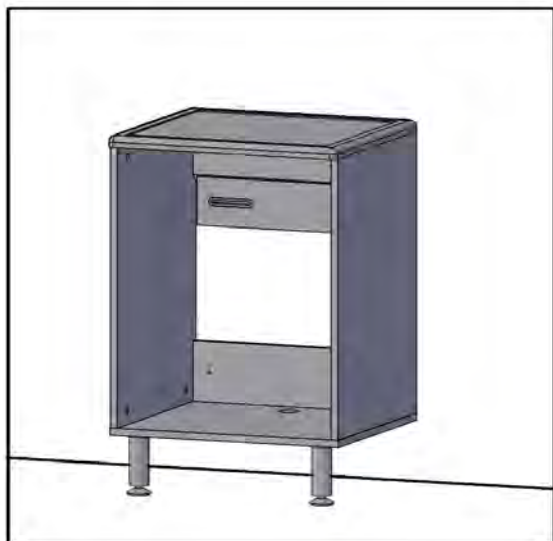


CHOOSE AN INSTALLATION OPTION



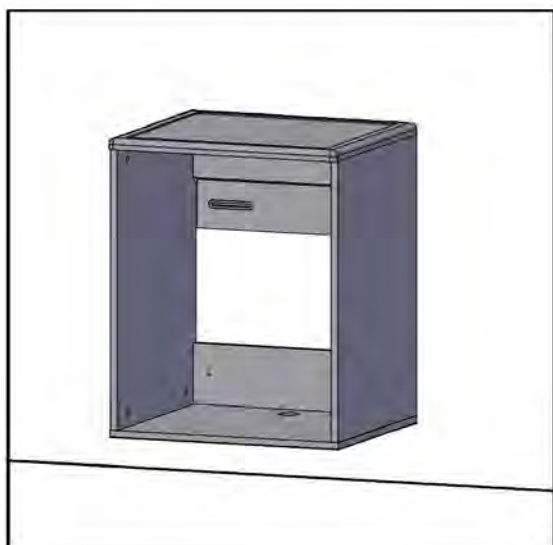
Option 1 (4 Feet)

Install 4-feet(pp) and adjust feet cylinder for slightly uneven floor surfaces. Included Wall Cleat(f) used for added cabinet stability. If so, screw Wall Cleat into Wood Studs in wall, which often are 16" apart for preferred installation. Make sure to attach wall cleat level and at correct height to wall, so feet are level on ground. Contact local cabinet professional for installation labor cost when in doubt.



Option 2 (2 Feet)

Install 2-front feet(pp) and use Included Wall Cleat(f). Screw wall cleat into preferred "Wood Studs" in wall, which are often 16" apart. Make sure to attach wall cleat level and at correct height to wall, so feet are level on ground. Contact local cabinet professional for installation labor cost when in doubt.

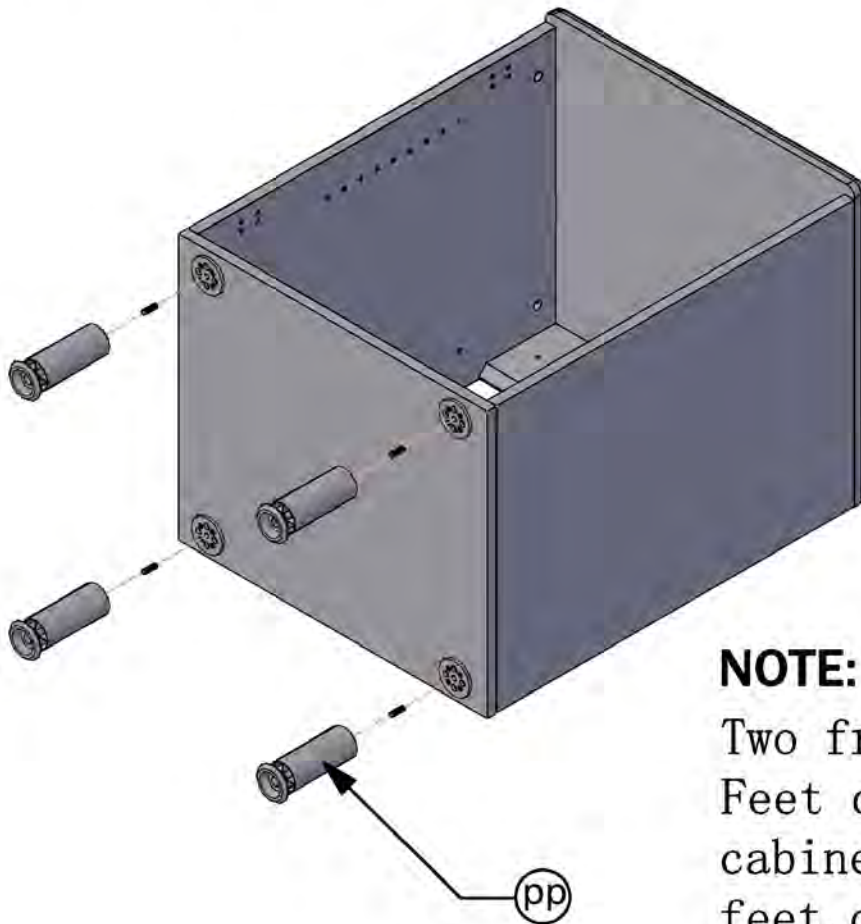


Option 3 (Wall Hanging)

"Cabinet Professional Installation" recommended only. Wall cleat(f) installed to Wood Studs in wall. Greatly reduce weight load in cabinet to estimated 50 lbs. Contact local cabinet professional for installation labor cost when in doubt.

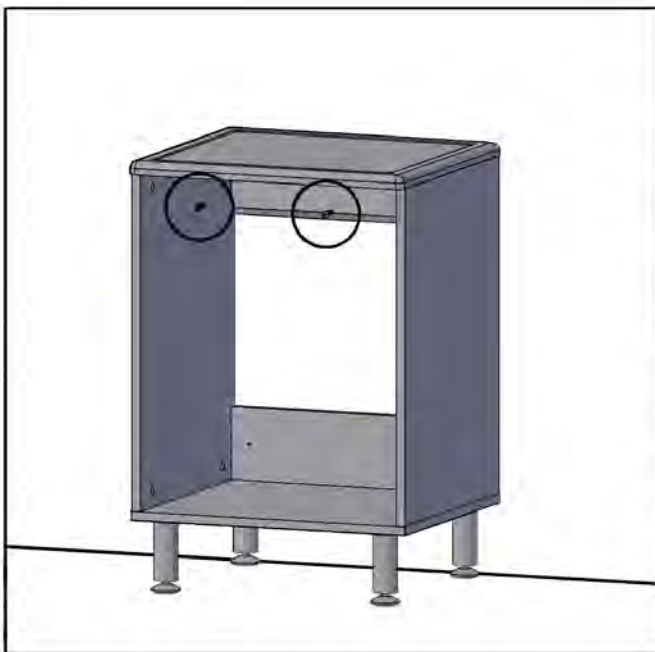
STEP 4

Option 1 & Option 2



NOTE:

Two front Feet (pp) or Four Feet can be used with your cabinet. if installing feet, do so at this time.



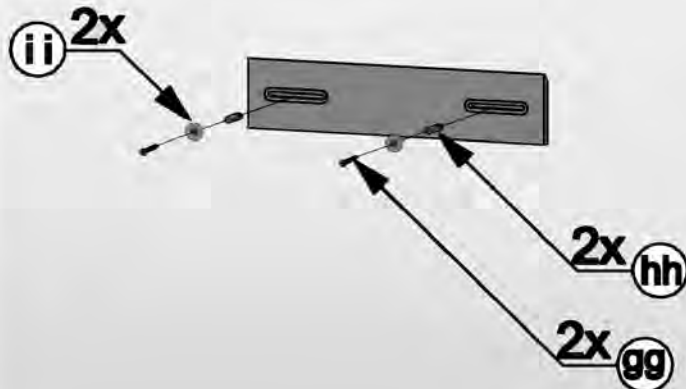
If Using installation Option 1

You may want to secure the finished unit onto the wall through the top spanners using wood/drywall screws for added stability. When anchoring to dry wall (with no studs), it is strongly recommended that you limit the weight in the cabinet to under 50 lbs. You may want to test the cabinet strength before loading.

STEP 4

Option 2 & Option 3

NOTE: Make sure wall Cleat(f) 45-degree angle is mounted as pictured, so to cleat to Top Spanner(d).



NOTE:

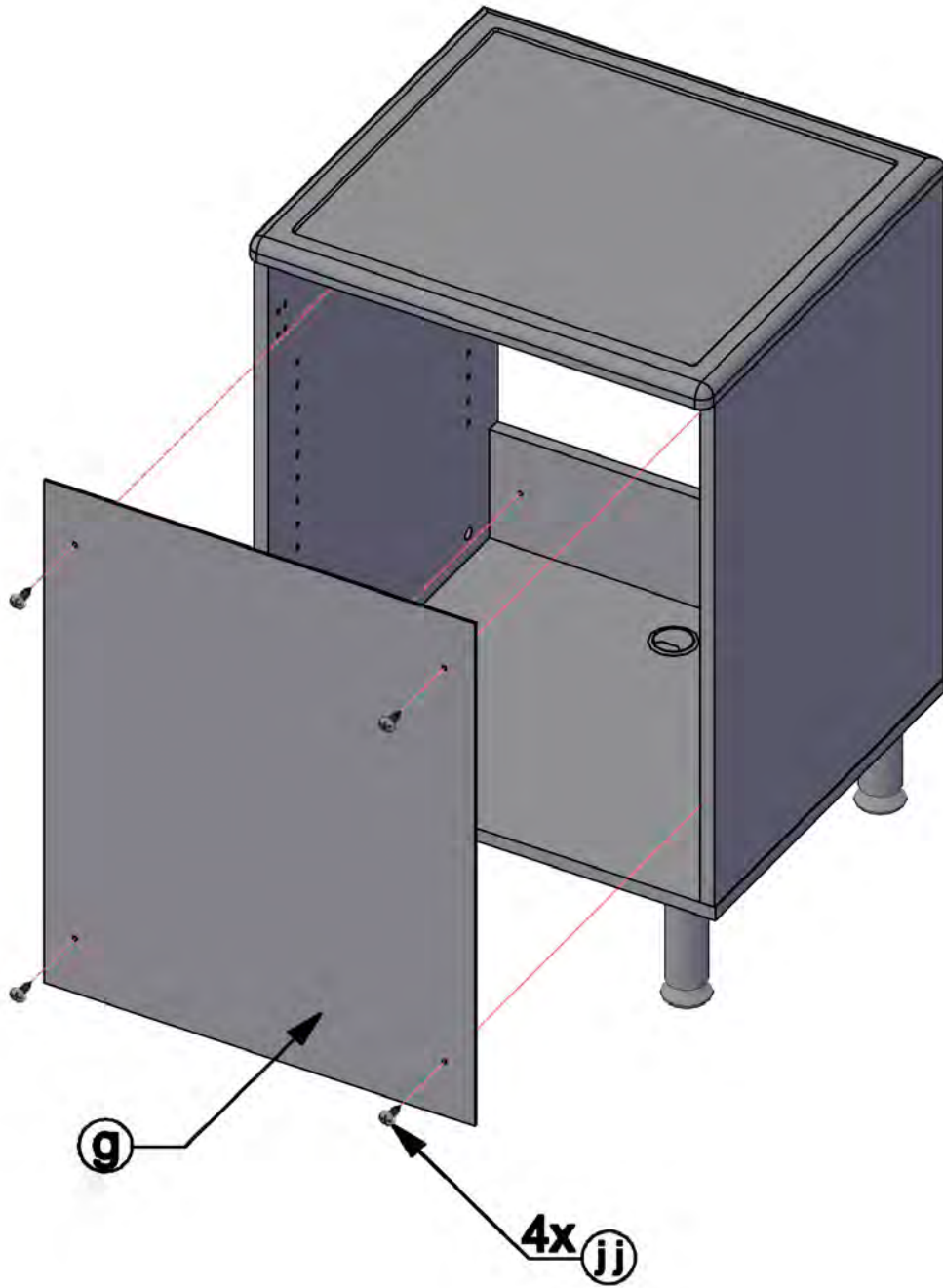
When installing wall cleat (f) to dry wall, screw directly into studs or use included WALL ANCHOR (hh). You may want to test the cabinet strength before loading.



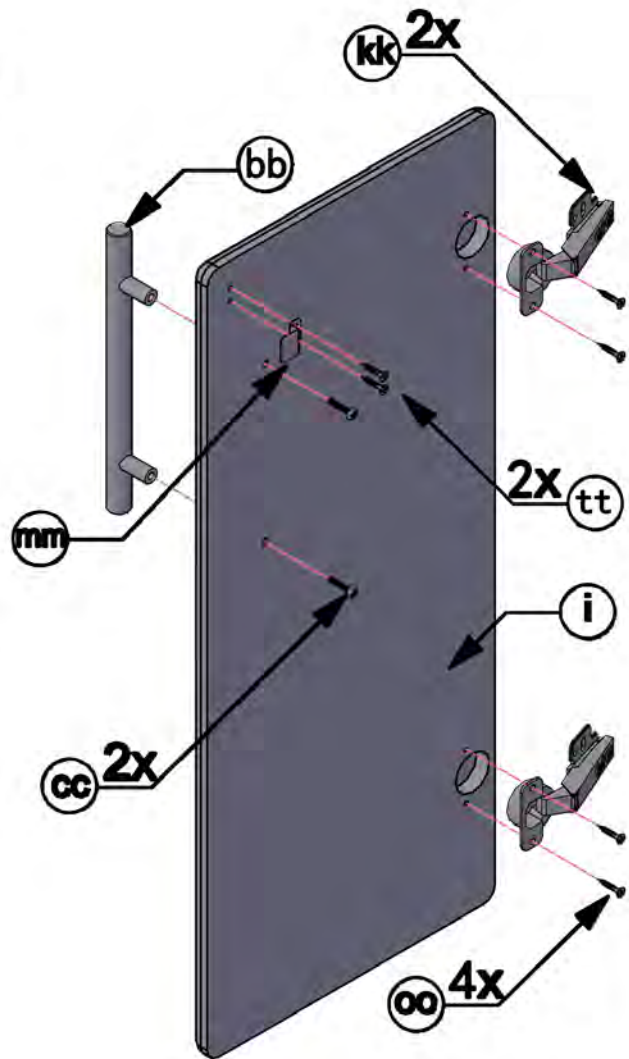
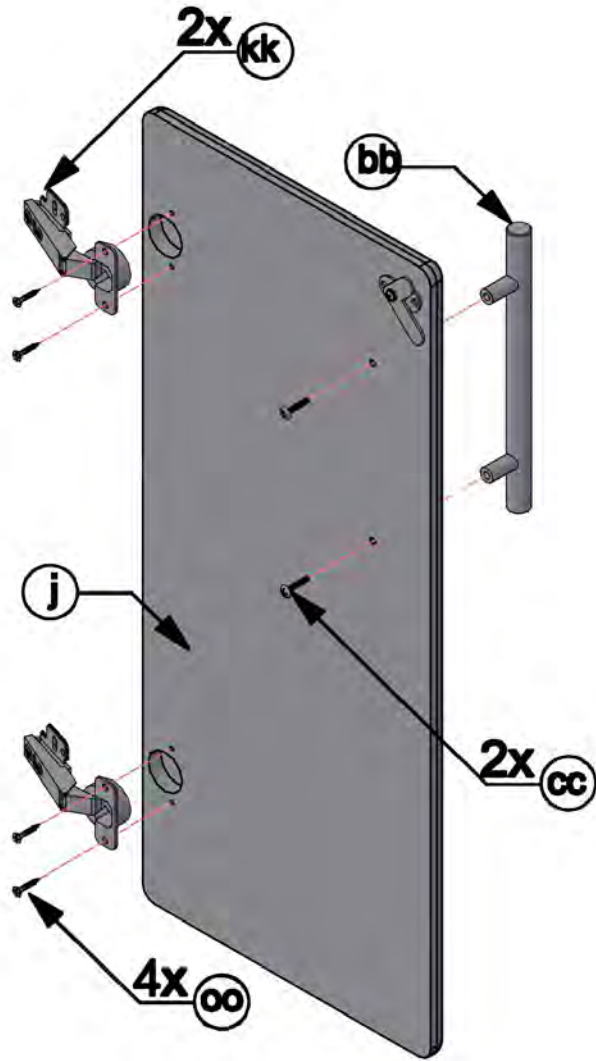
NOTE:

For added stability, screw two additional screws into studs through the top spanner (d) of the cabinet.

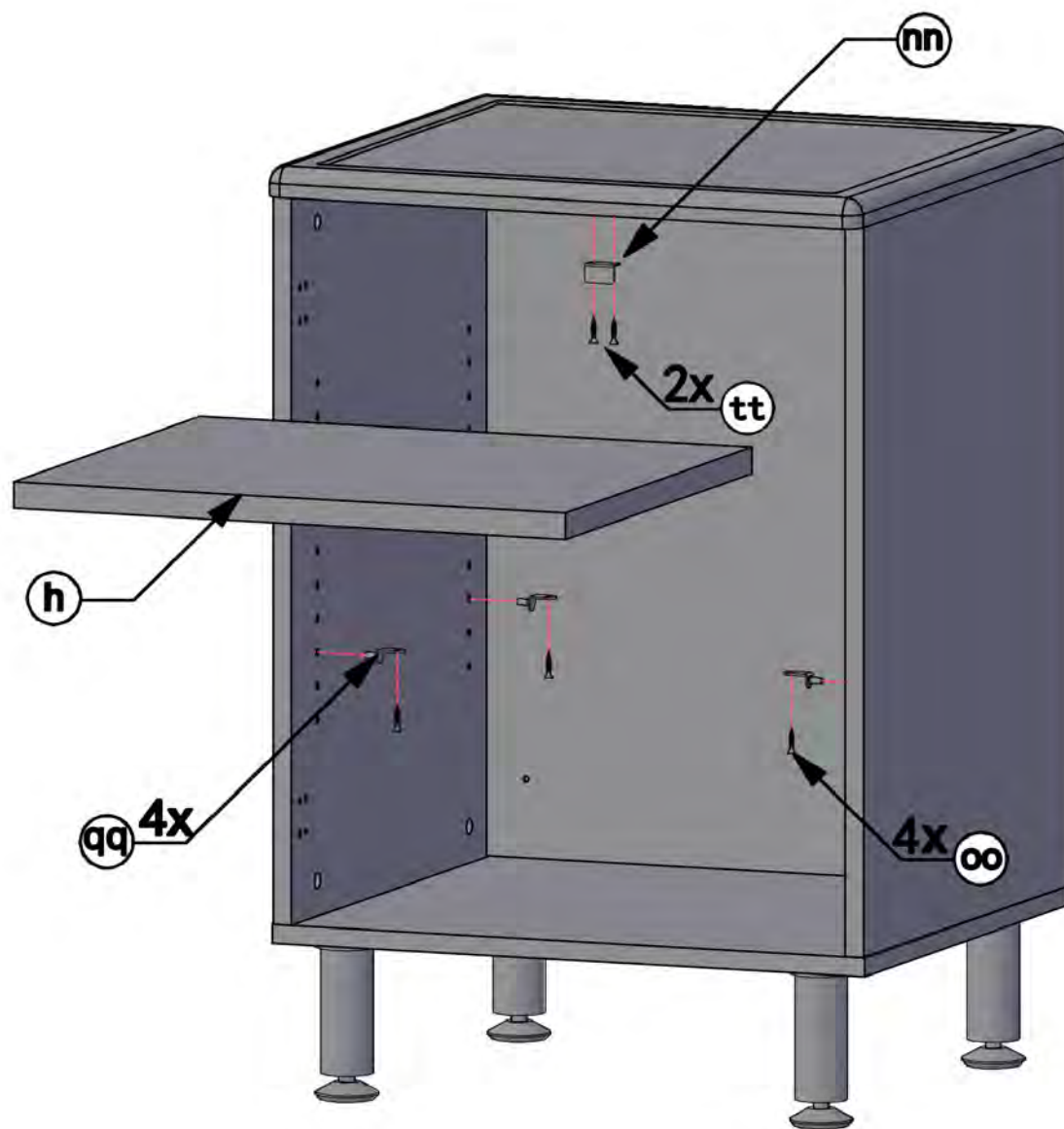
STEP 5



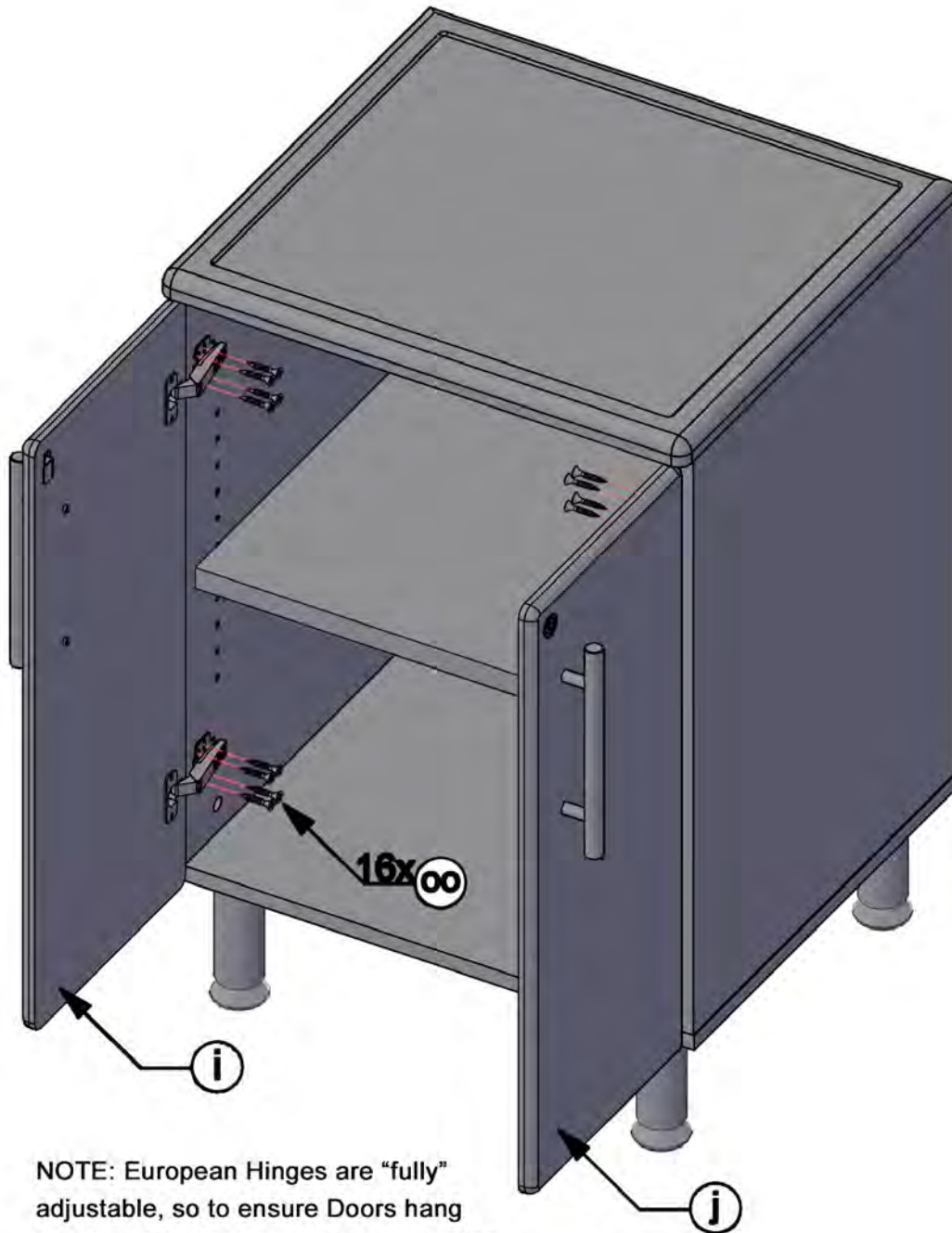
STEP 6



STEP 7



STEP 8



NOTE: European Hinges are “fully” adjustable, so to ensure Doors hang properly, To learn more about adjusting European hinges, go to YouTube to watch video.

STEP 9



Thank you for your purchase of our award-winning products and visit us at: www.ulti-mategarage.com