



# ASSEMBLY INSTRUCTIONS

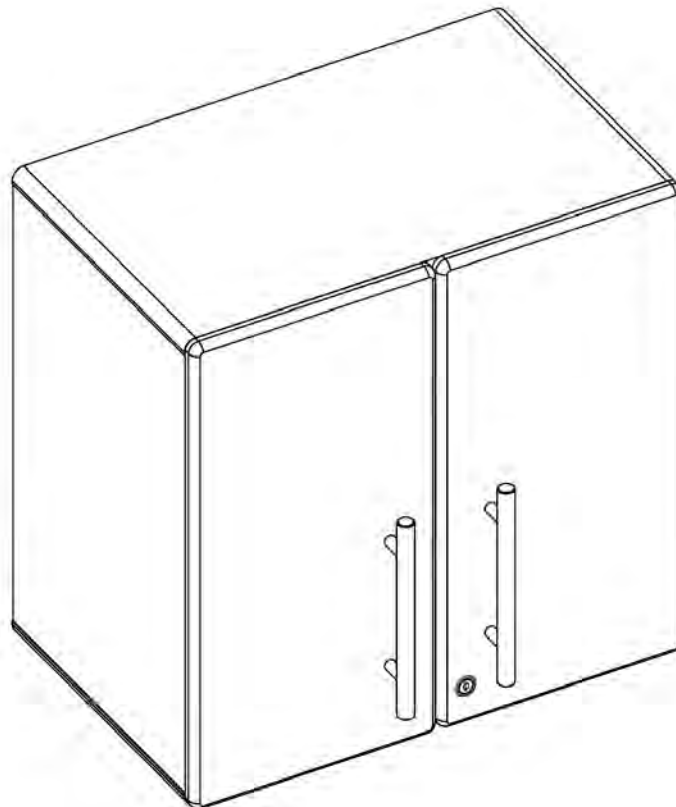
## Two Door Wall Cabinet

### Model Number: UG21009

**In the event of missing or damaged parts:**

**PLEASE CALL: 949-713-3338**

***NOTE: Do Not Call Retailer - Contact Manufacturer Direct For Faster Service.***



Uti-MATE Garage | 30021 Tomas, Rancho Santa Margarita, CA 92688.  
T: 949-713-3338 | W: [www.ulti-mategarage.com](http://www.ulti-mategarage.com)

Rev 1.09

# PARTS LIST

BASE CABINET MODEL: UG21009









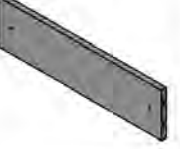

In the unlikely event of missing or damaged parts

**PLEASE CALL : 949-713-3338**

WEB: [www.ulti-mategarage.com](http://www.ulti-mategarage.com)

TOOLS NEEDED  
FOR ASSEMBLY



#	DESCRIPTION	QTY	IMAGE	#	DESCRIPTION	QTY	IMAGE
a	Top Panel	1		f	Wall Cleat	1	
b	Bottom Panel	1		g	Back Panel	1	
c	Side Panel	2		h	Shelf	1	
d	Top Spanner	1		i	Left Door	1	
e	Bottom Spanner	1		j	Right Door	1	

# PARTS LIST

BASE CABINET MODEL: UG21009

In the unlikely event of missing or damaged parts

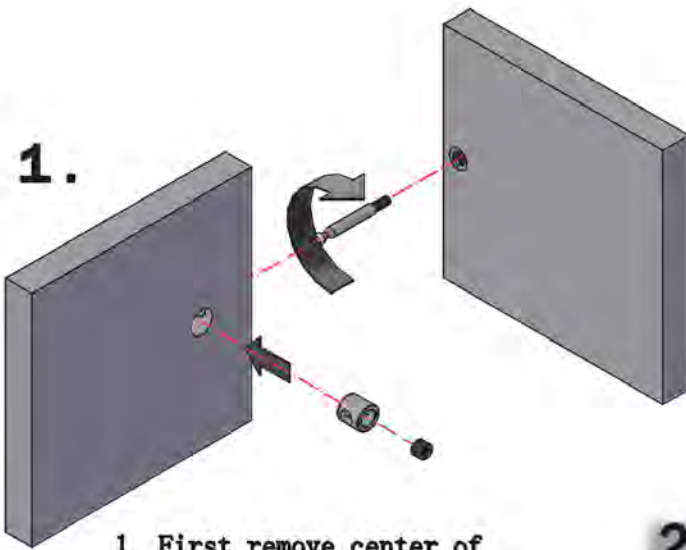
**PLEASE CALL : 949-713-3338**

WEB: [www.ulti-mategarage.com](http://www.ulti-mategarage.com)

#	DESCRIPTION	QTY	IMAGE	#	DESCRIPTION	QTY	IMAGE
aa	Logo	1		jj	Screw 5*15mm	4	
bb	Pull	2		kk	Hinge	4	
cc	Pull Screw 4*24mm	4		ll	key	2	
dd	Cam	16		mm	Lock Hardware (Door)	1	
ee	Metal Dowel	16		nn	Lock Hardware (Bottom Panel)	1	
ff	Wooden Dowel	4		oo	Screw 4*16mm	28	
gg	Wall Anchor Screw 4.5*50mm	2		qq	Shelf Clip	4	
hh	Wall Anchor	2		ss	Touch up Crayon	1	
ii	Wall Cleat Grommet	2		tt	Screw 3.5*14mm	4	

# BEFORE YOU BEGIN

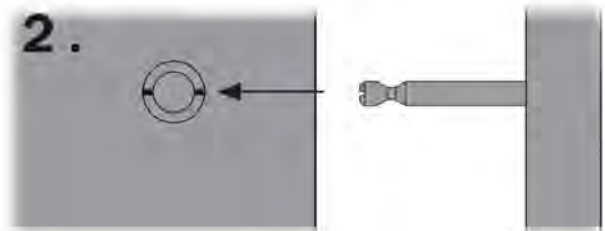
CAM STYLE FASTENERS ARE USED THROUGHOUT THE ASSEMBLY OF THIS CABINET. ASSEMBLE ALL CAMS AS SHOWN BELOW.



**1.**

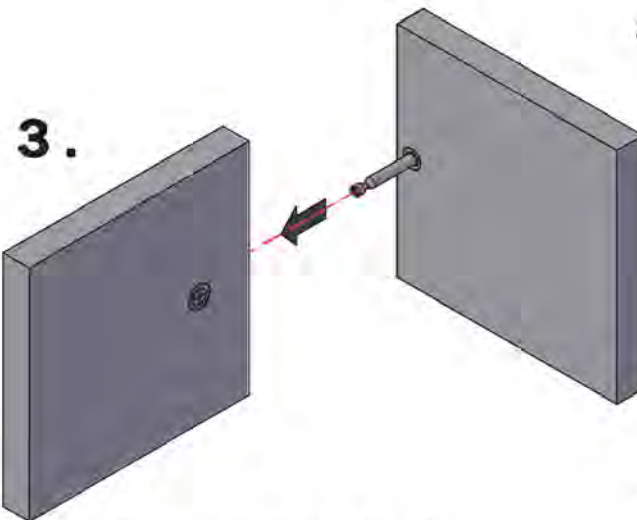
1. First remove center of Cam before inserting Cam outer ring into panel.

**NOTE:** After removing Cam(dd) screw, put in safe place. Make sure Cam is aligned as pictured and fully seated in hole. Test by inserting Metal Dowel(ee) into Cam. If Metal Dowel(ee) can't fully be inserted into Cam, pull out Cam and with flat head screwdriver, gently scrape away and loose wood and reinsert Cam properly aligned.



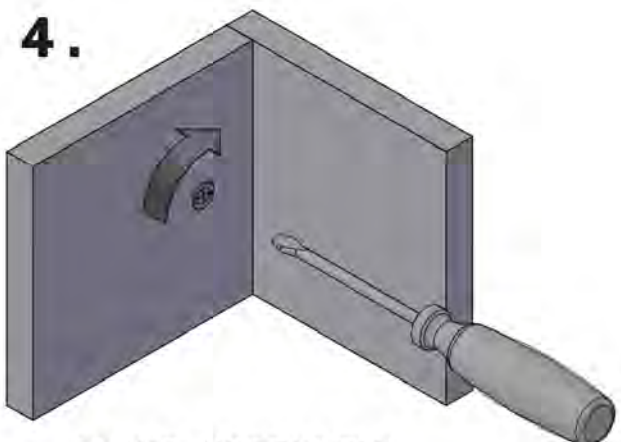
**2.**

2. ALIGN CAM SLOT & HOLE FOR METAL DOWEL



**3.**

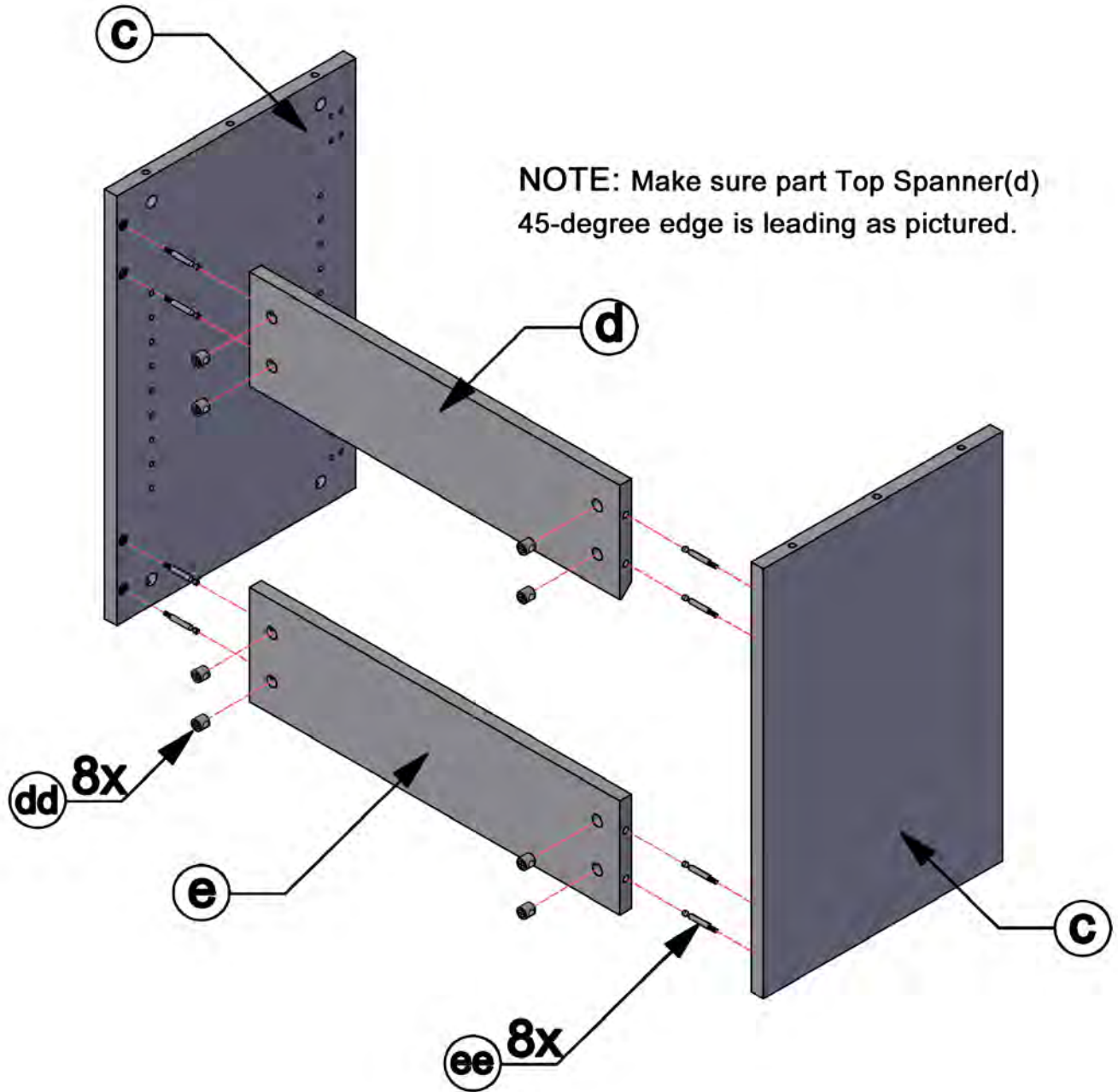
3. Install Metal Dowel (ee) into Cam outer ring before installing center of Cam into Cam outer ring (to prevent center of Cam blocking Dowel)



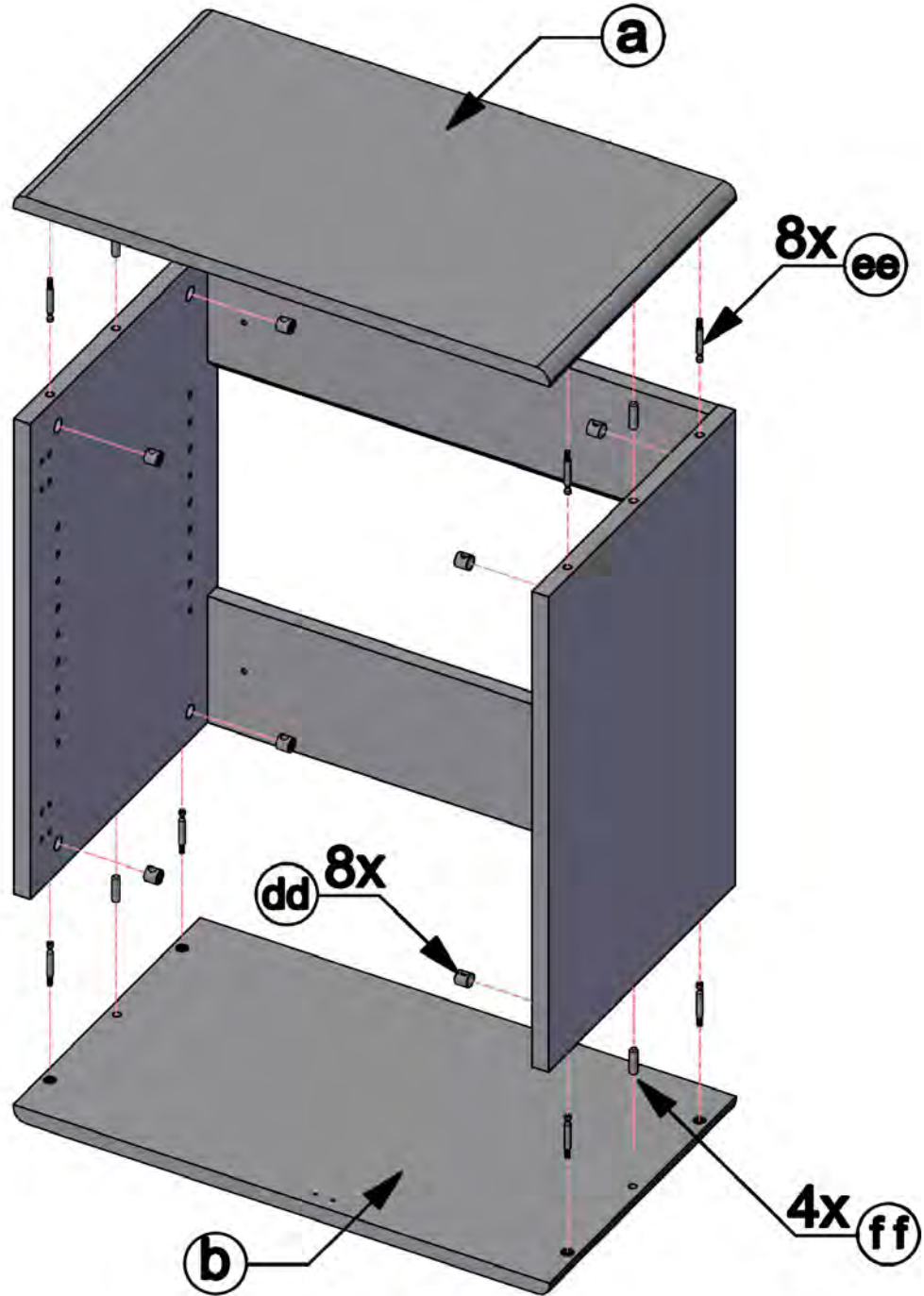
**4.**

**DO NOT OVERTIGHTEN**

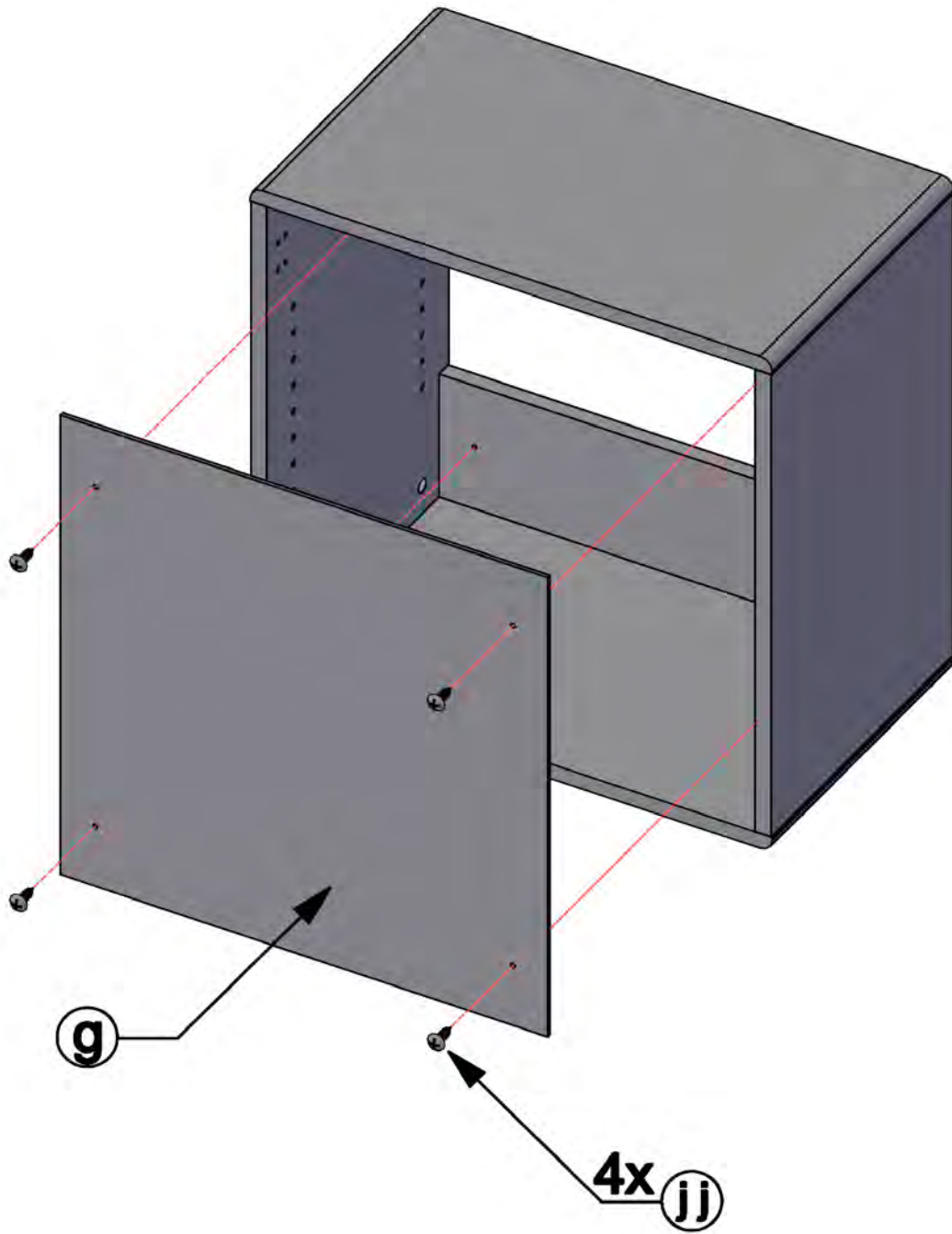
# STEP 1



# STEP 2

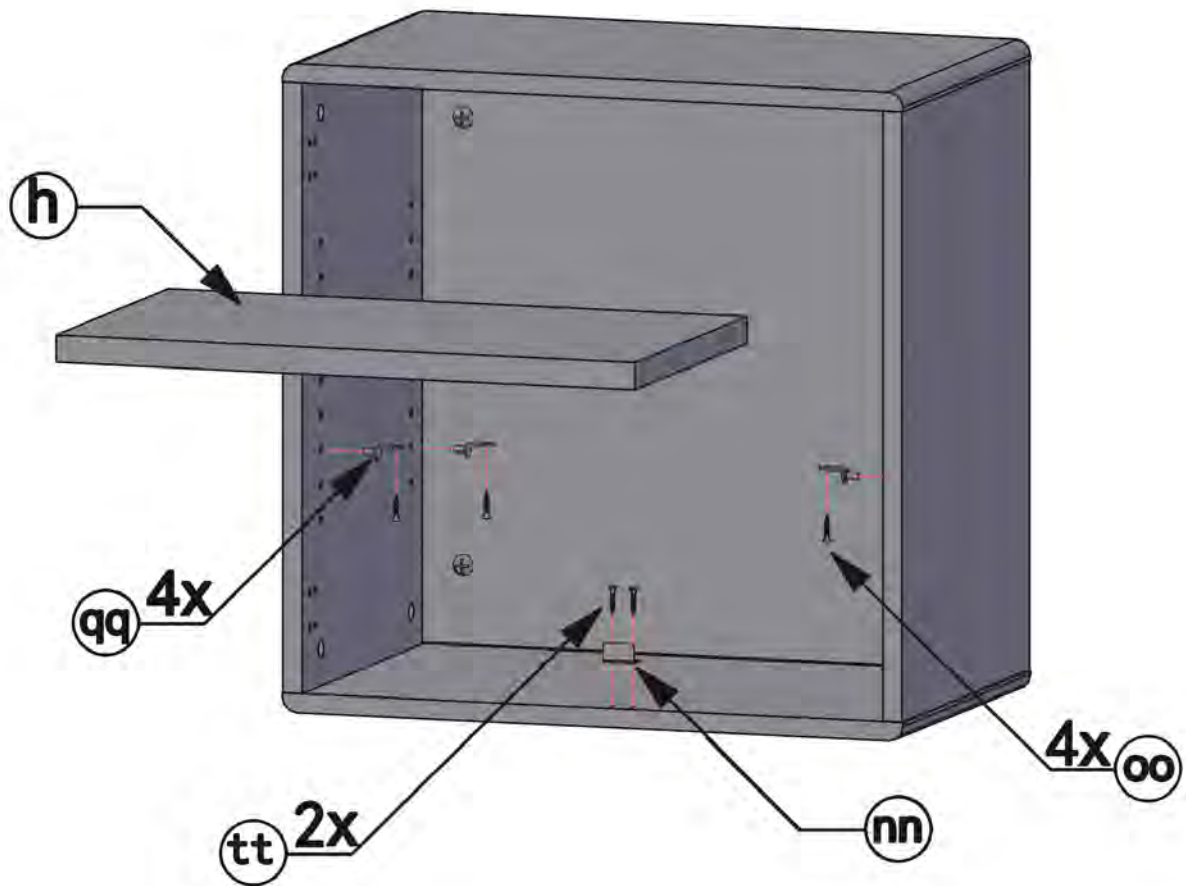


# STEP 3



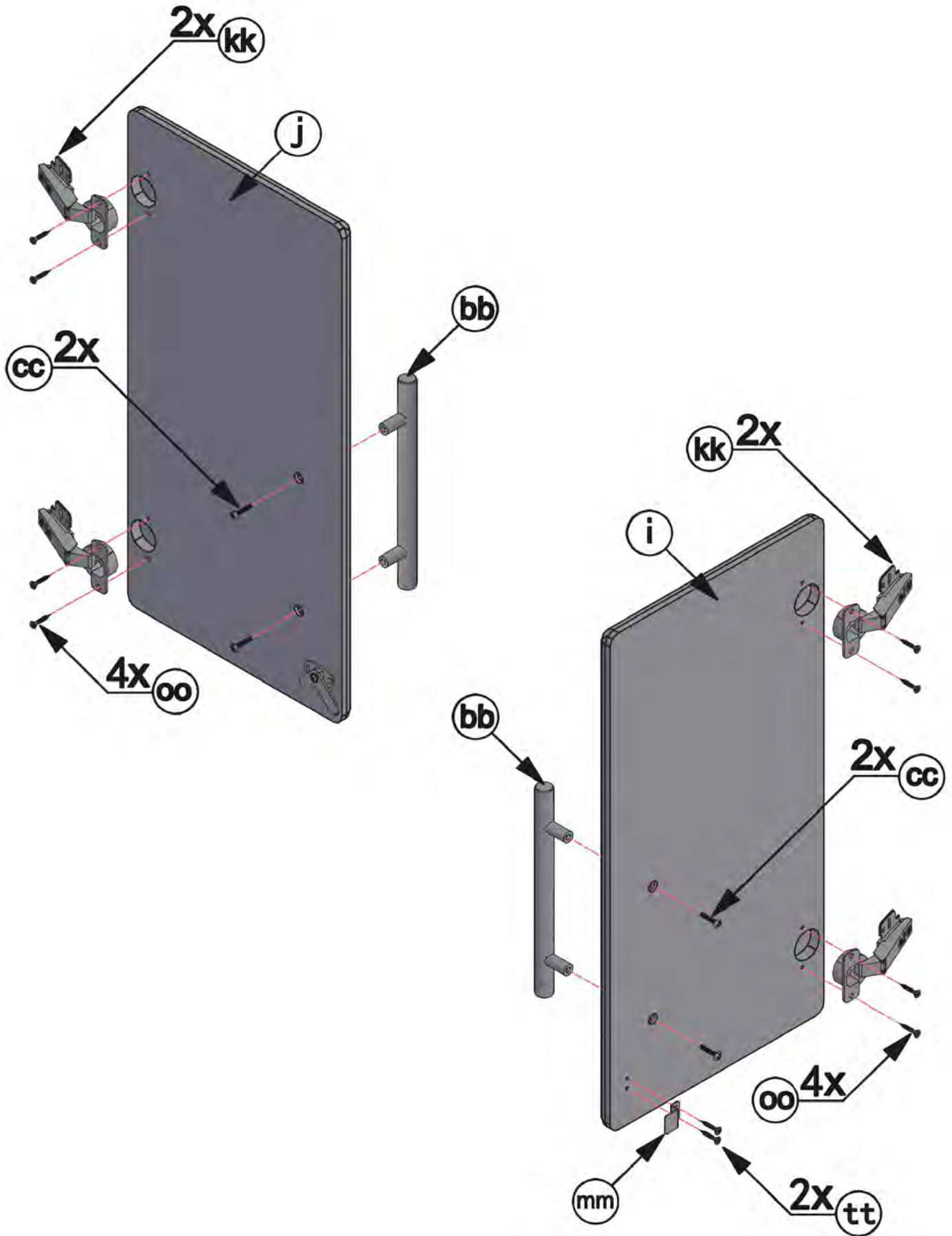
## STEP 4

**NOTE:** Installing Shelf and Doors can be done after cabinet secured to wall, so to reduce weight when picking up cabinet. Get Help.

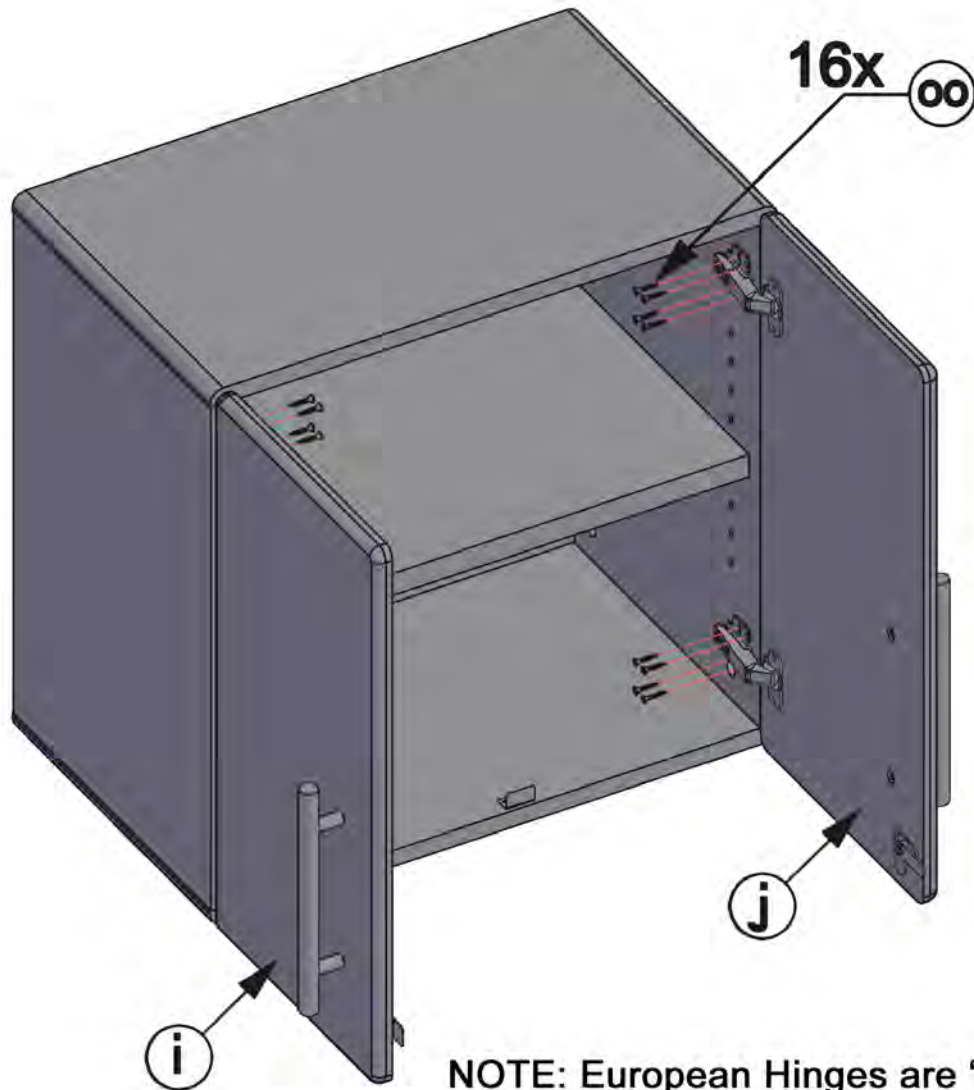




# STEP 5

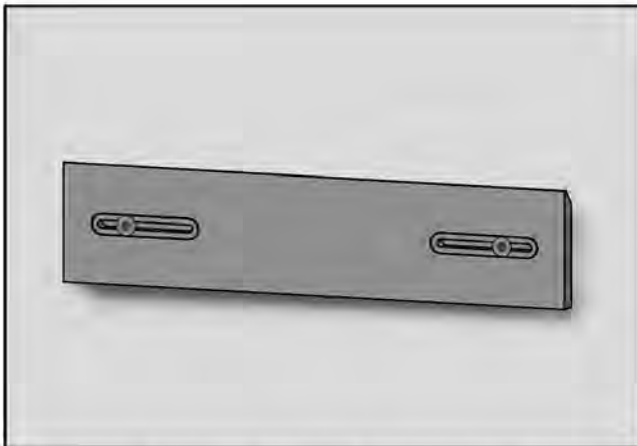
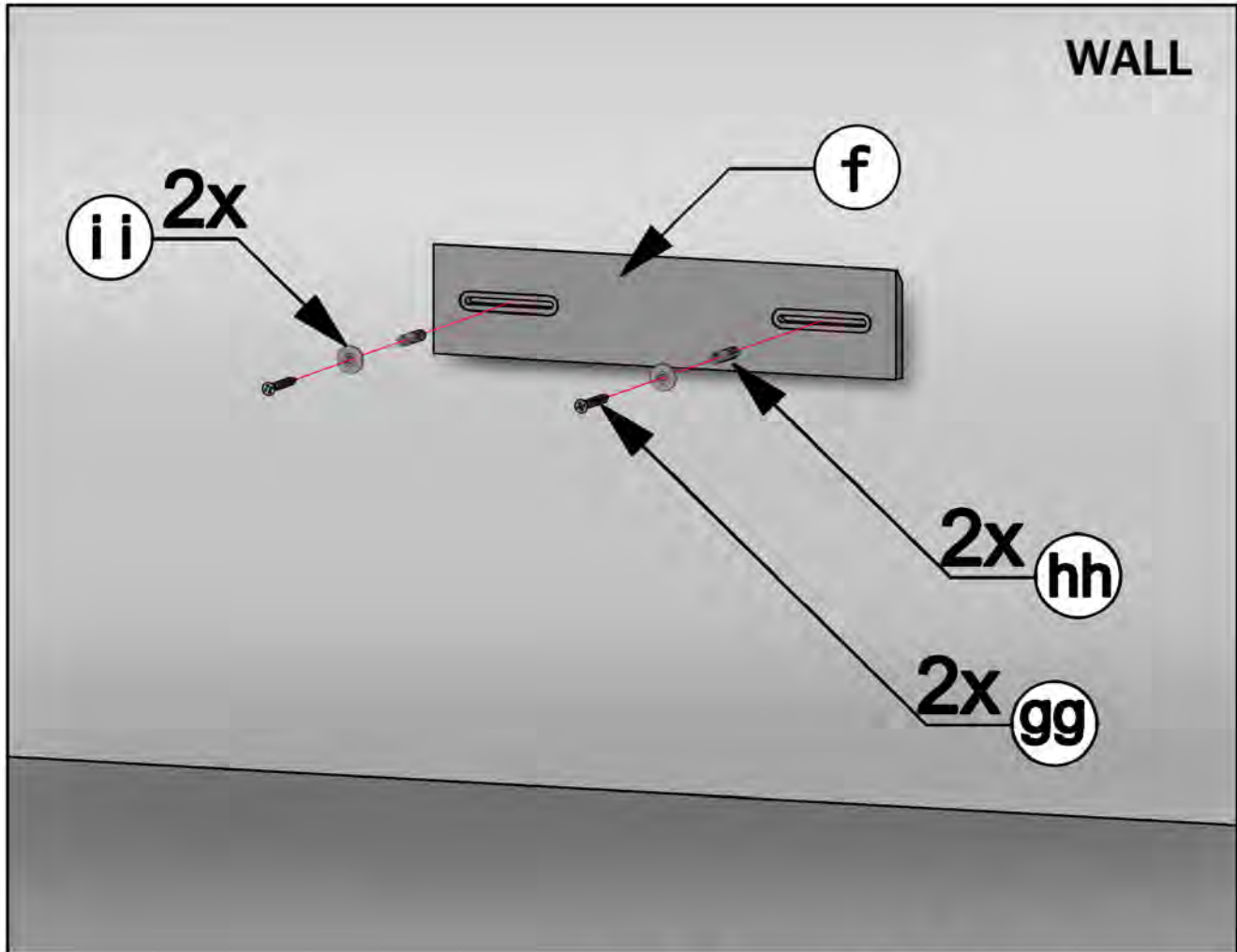


## STEP 6



**NOTE:** European Hinges are “fully” adjustable, so to ensure Doors hang properly, To learn more about adjusting European hinges, go to YouTube to watch video.

## STEP 7



**To Mount To Wall, Screw Directly Into Studs When Available.**

**Use Supplied Anchors (hh) When Studs Are Not Available.**

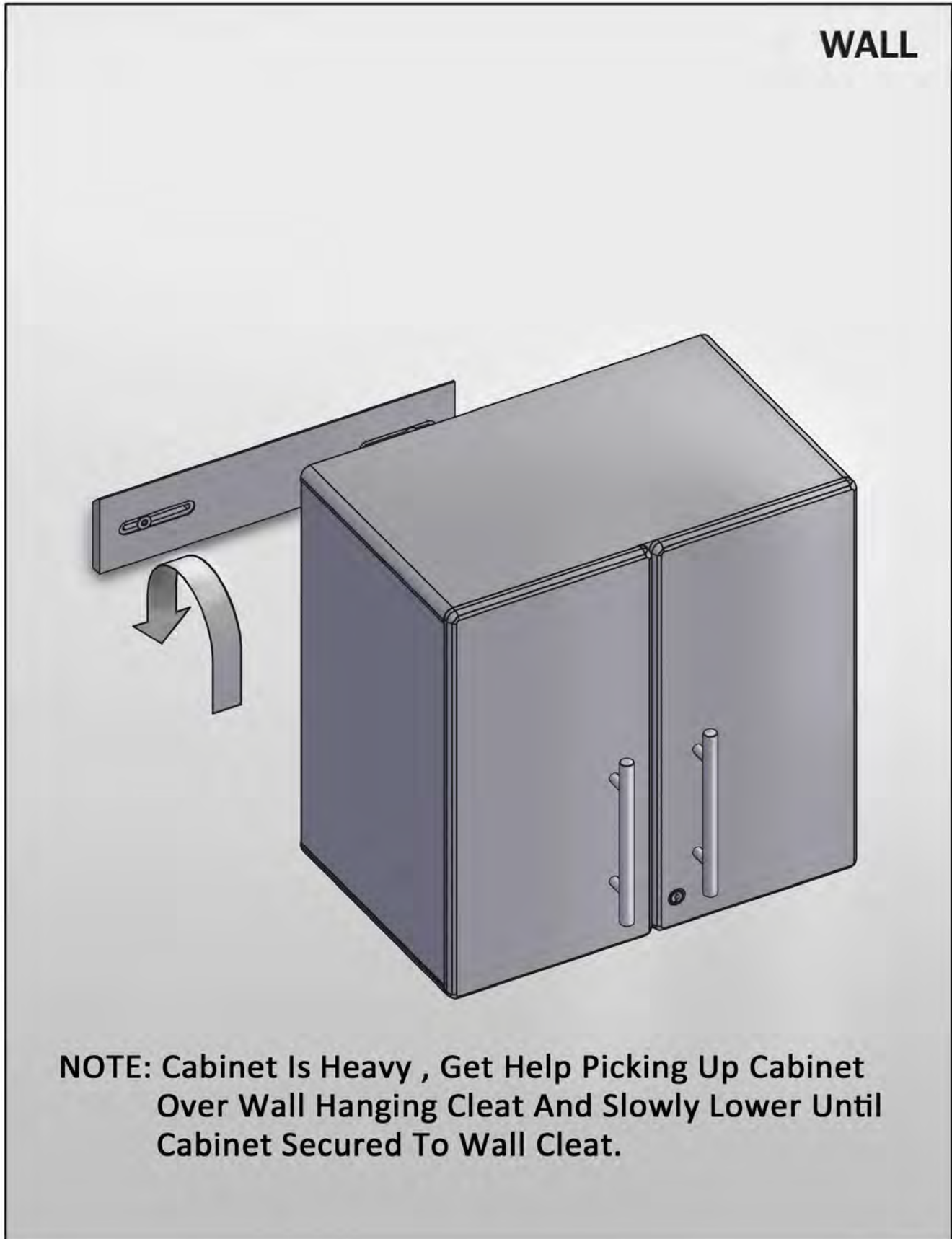
**NOTE:** Make sure wall Cleat(f) 45-degree angle is mounted as pictured, so to cleat to Top Spanner(d).

**Weight Rating Is 150 Pounds For A Single Cabinet.**

**Do Not EXCEED 150 Pounds.**

**When anchoring to dry wall (with no studs) , it is strongly recommended that you limit the weight in the cabinet to under 50 lbs. You may want to test the cabinet strength before loading.**

## STEP 8



## STEP 9



Thank you for your purchase of our award-winning products and visit us at: [www.ulti-mategarage.com](http://www.ulti-mategarage.com)