



ASSEMBLY INSTRUCTIONS

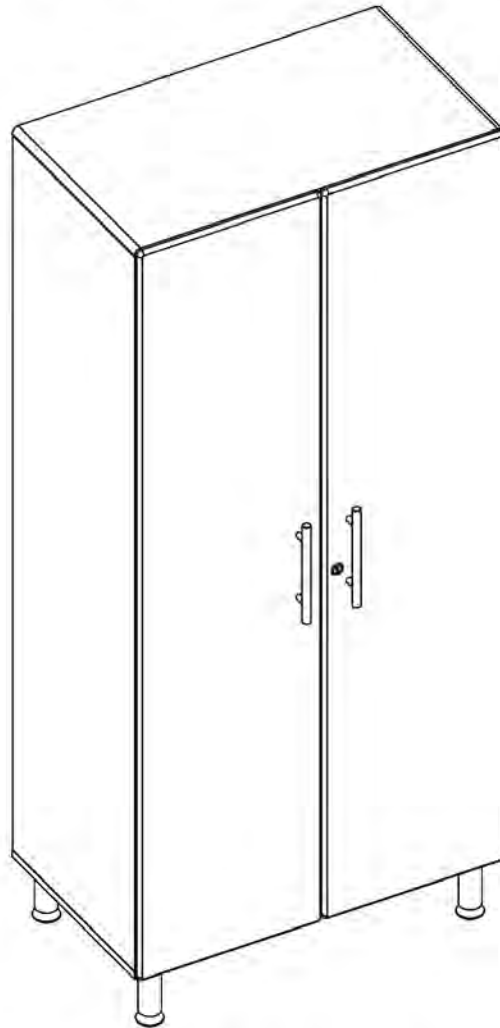
Large Two Door Storage Cabinet

Model Number: UG21006

In the event of missing or damaged parts:

PLEASE CALL: 949-713-3338

NOTE: Do Not Call Retailer - Contact Manufacturer Direct For Faster Service.



Uti-MATE Garage | 30021 Tomas, Rancho Santa Margarita, CA 92688.
T: 949-713-3338 | W: www.ulti-mategarage.com

Rev 1.06

PARTS LIST










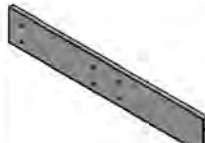
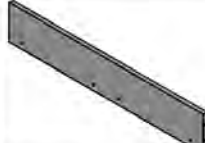
BASE CABINET MODEL: UG21006

In the unlikely event of missing or damaged parts
PLEASE CALL : 949-713-3338

WEB: www.ulti-mategarage.com

TOOLS NEEDED
 FOR ASSEMBLY



#	DESCRIPTION	QTY	IMAGE	#	DESCRIPTION	QTY	IMAGE
a	Top Panel	1		g	Back Panel	2	
b	Bottom Panel	1		h	Adjustable Shelf	2	
c	Side Panel	2		i	Fixed Shelf	1	
				j	Left Door	1	
d	Top Spanner	1		k	Right Door	1	
e	Middle Spanner	1					
f	Bottom Spanner	1					


















PARTS LIST

BASE CABINET MODEL: UG21006

In the unlikely event of missing or damaged parts

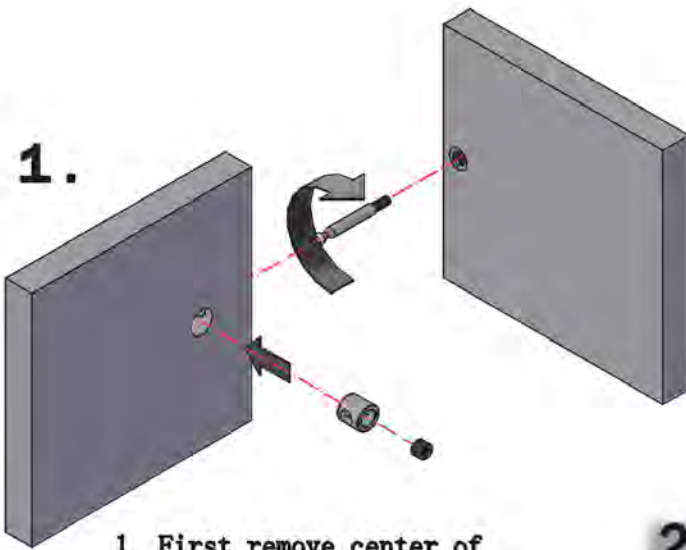
PLEASE CALL : 949-713-3338

WEB: www.ulti-mategarage.com

#	DESCRIPTION	QTY	IMAGE	#	DESCRIPTION	QTY	IMAGE
aa	Logo	1		mm	Lock Hardware (Door)	1	
bb	Pull	2		nn	Lock Hardware (Fixed Shelf)	1	
cc	Pull Screw 4*24mm	4		oo	Screw 4*16mm	56	
dd	Cam	24		pp	Adjustable Foot	4	
ee	Metal Dowel	24		qq	Shelf Clip	8	
ff	Wooden Dowel	8		rr	Hole Cover	1	
jj	Screw 5*15mm	16		ss	Touch up Crayon	1	
kk	Hinge	8		tt	Screw 3.5*14mm	4	
ll	key	2					

BEFORE YOU BEGIN

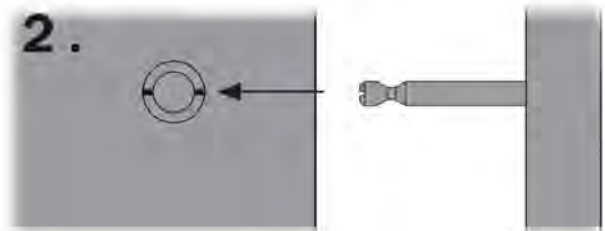
CAM STYLE FASTENERS ARE USED THROUGHOUT THE ASSEMBLY OF THIS CABINET. ASSEMBLE ALL CAMS AS SHOWN BELOW.



1.

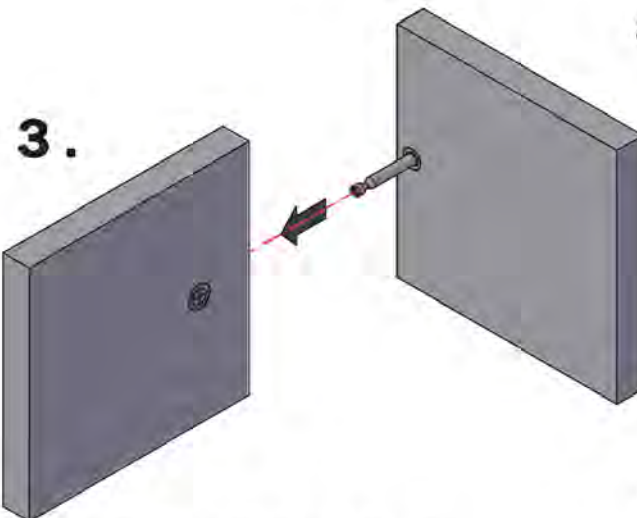
1. First remove center of Cam before inserting Cam outer ring into panel.

NOTE: After removing Cam(dd) screw, put in safe place. Make sure Cam is aligned as pictured and fully seated in hole. Test by inserting Metal Dowel(ee) into Cam. If Metal Dowel(ee) can't fully be inserted into Cam, pull out Cam and with flat head screwdriver, gently scrape away and loose wood and reinsert Cam properly aligned.



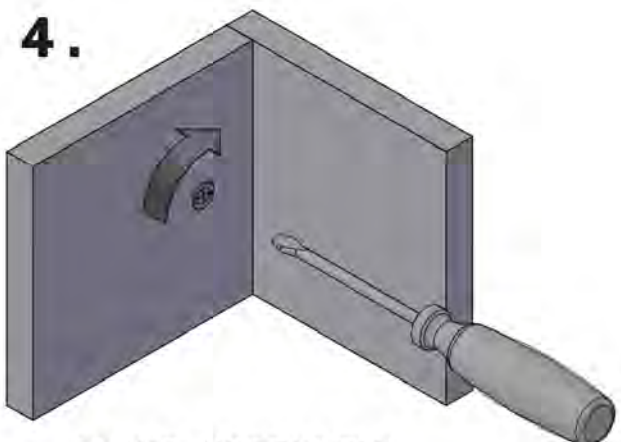
2.

2. ALIGN CAM SLOT & HOLE FOR METAL DOWEL



3.

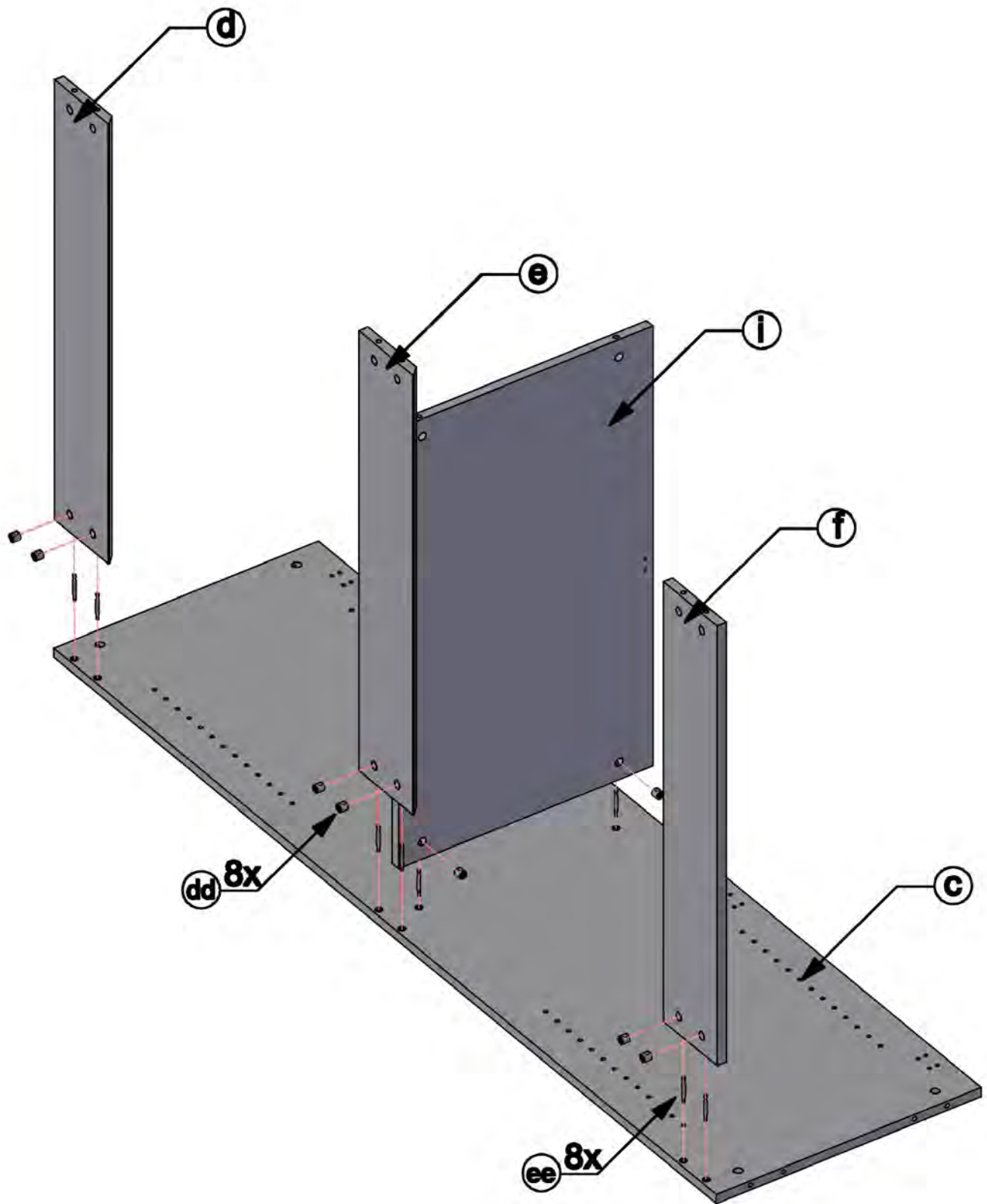
3. Install Metal Dowel (ee) into Cam outer ring before installing center of Cam into Cam outer ring (to prevent center of Cam blocking Dowel)



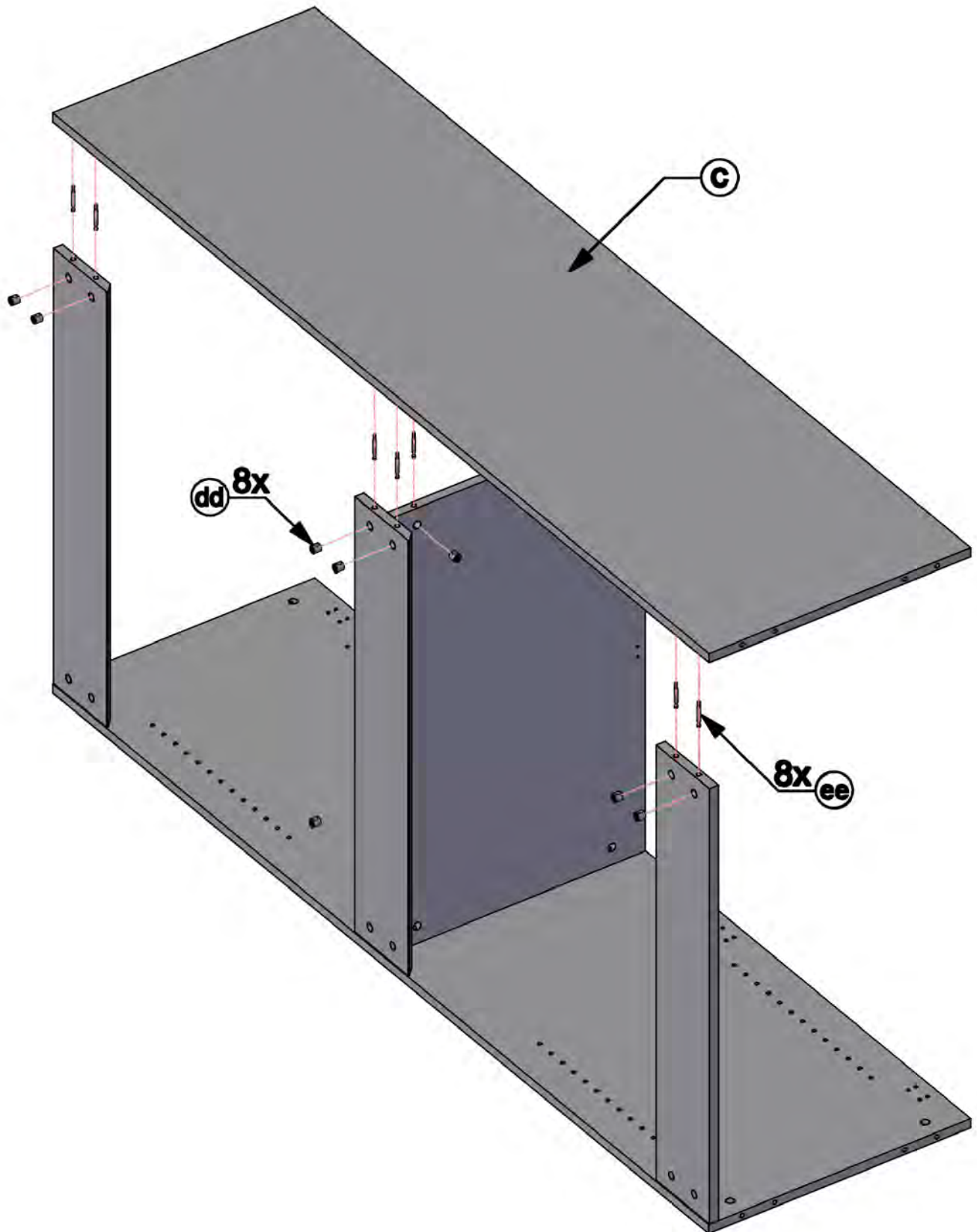
4.

DO NOT OVERTIGHTEN

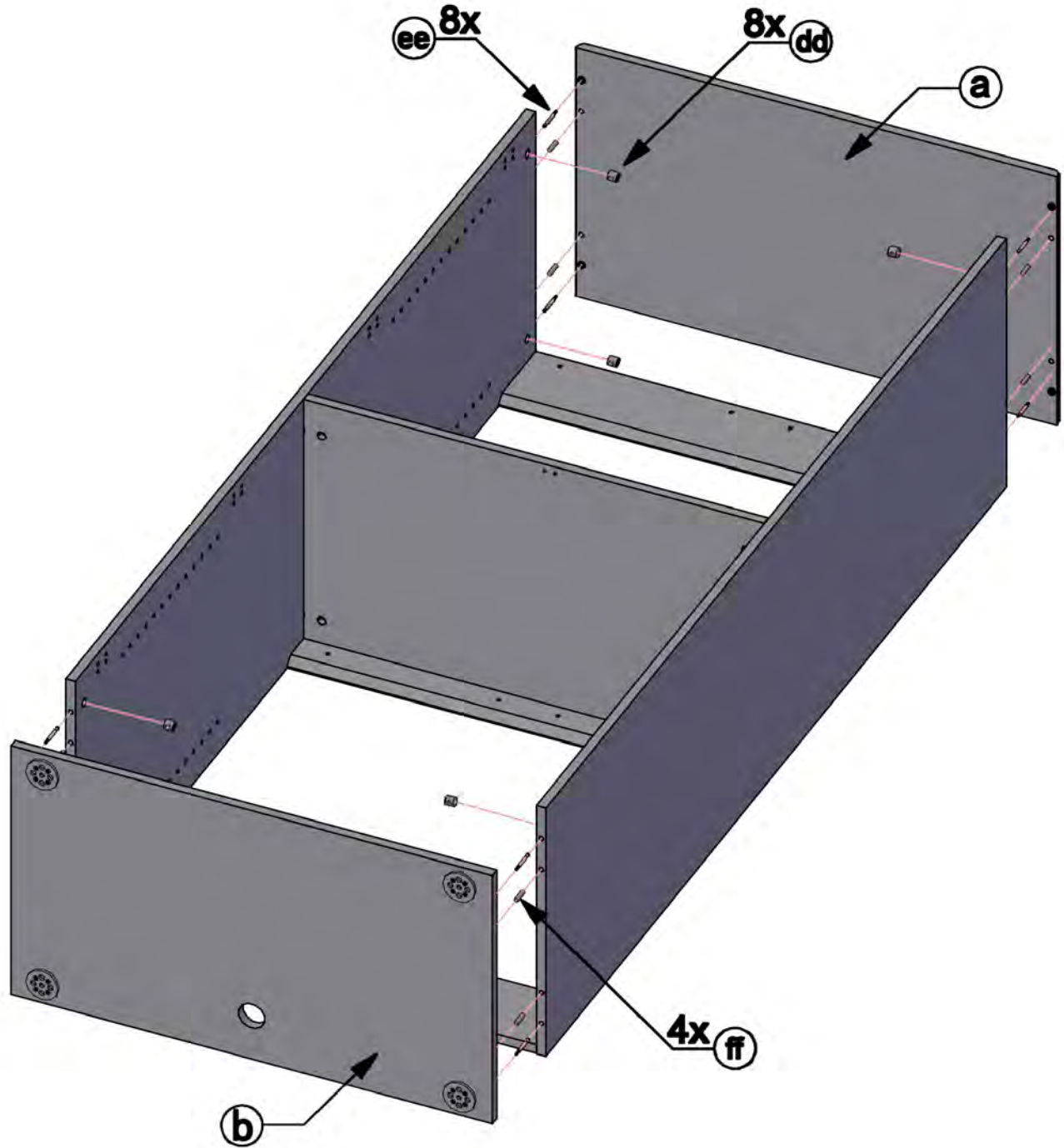
STEP 1



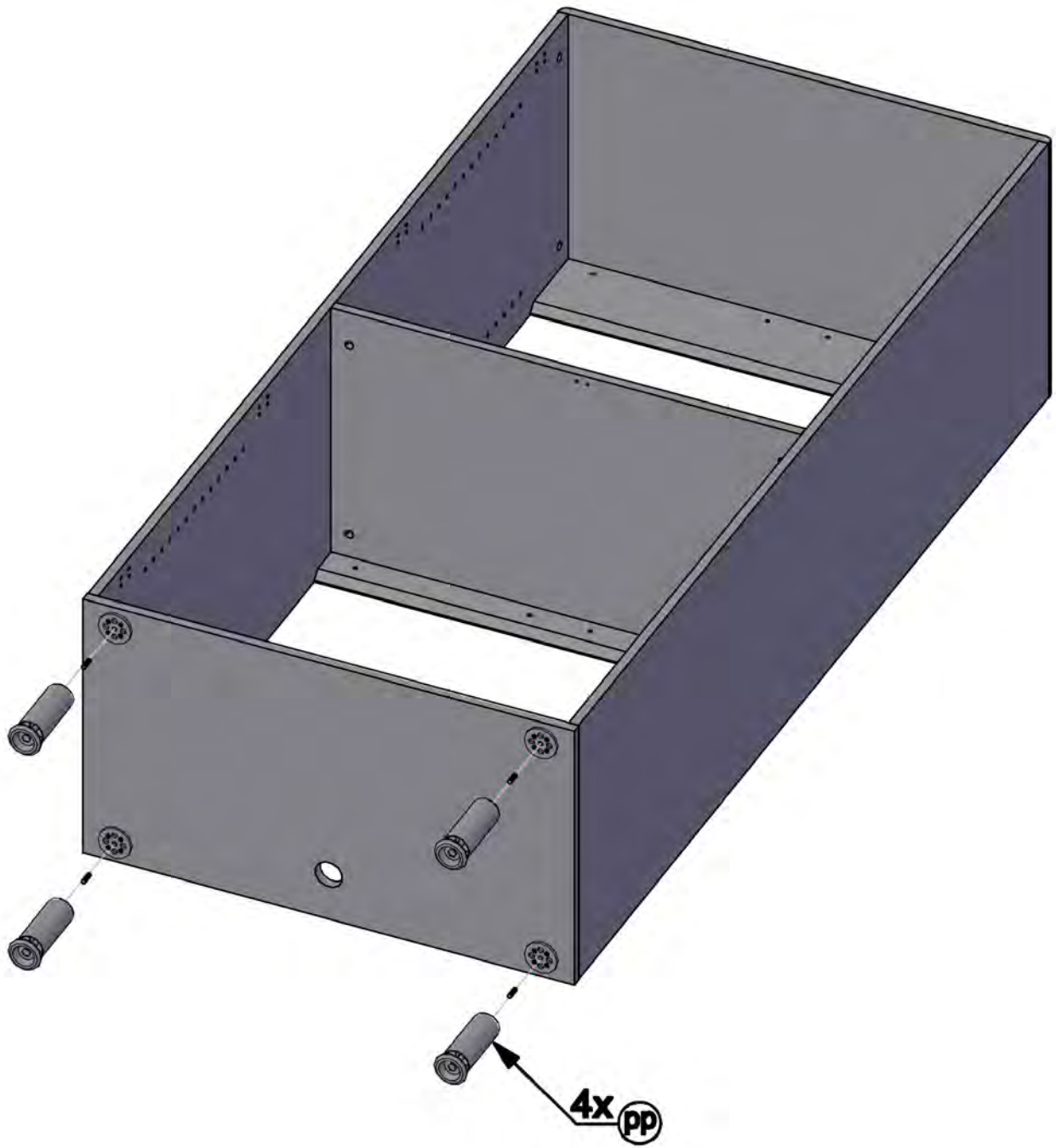
STEP 2



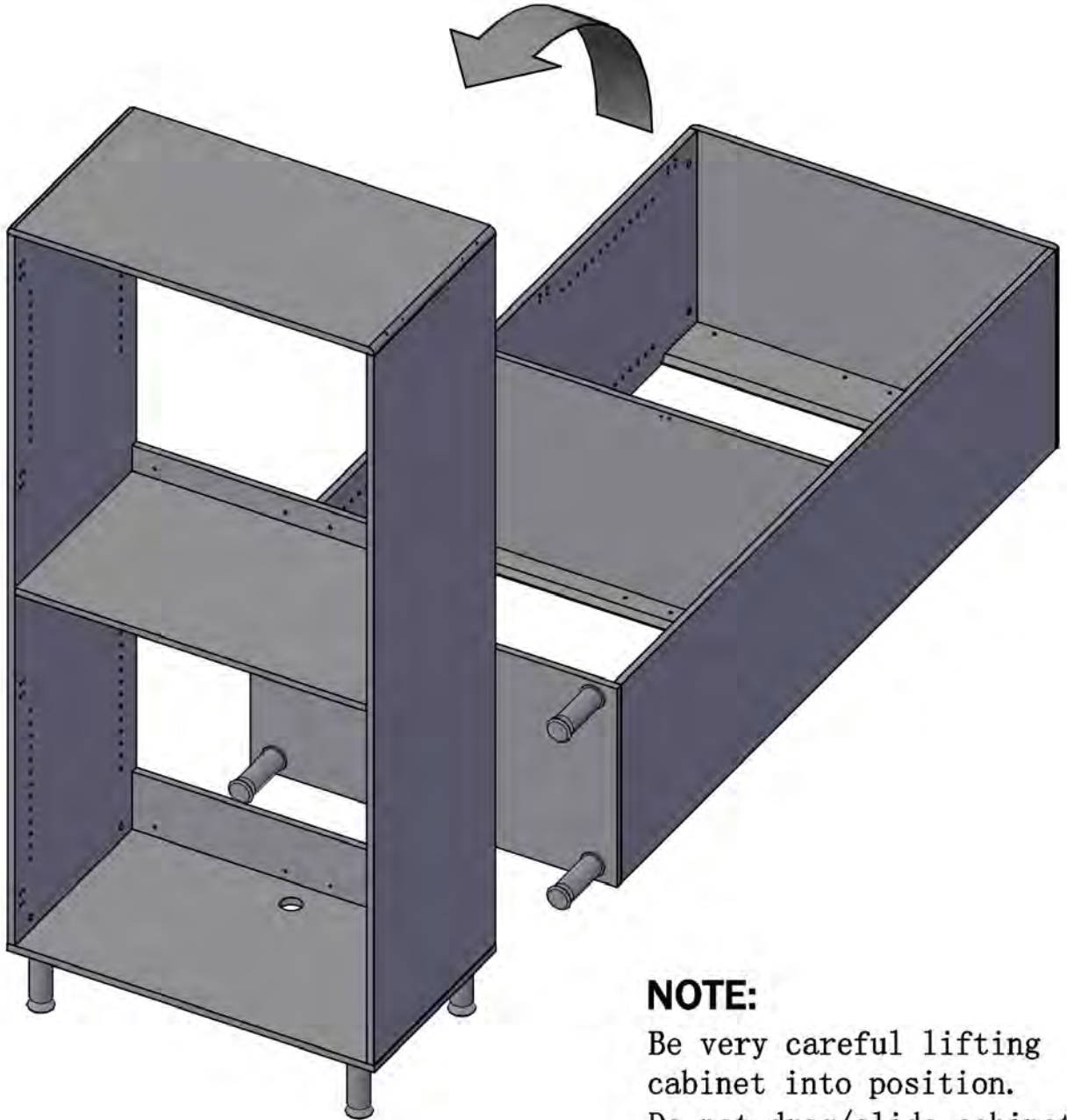
STEP 3



STEP 4



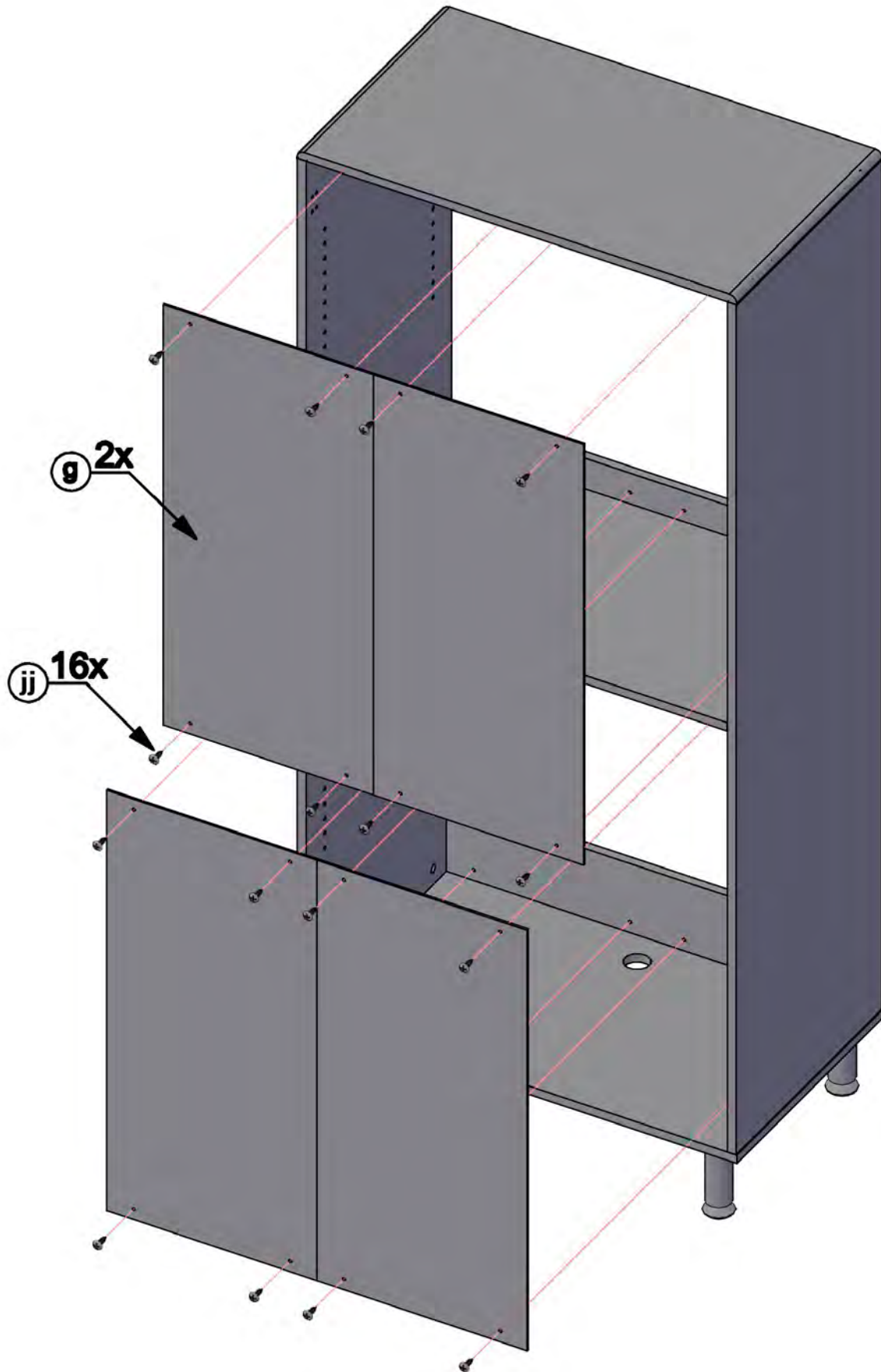
STEP 5



NOTE:

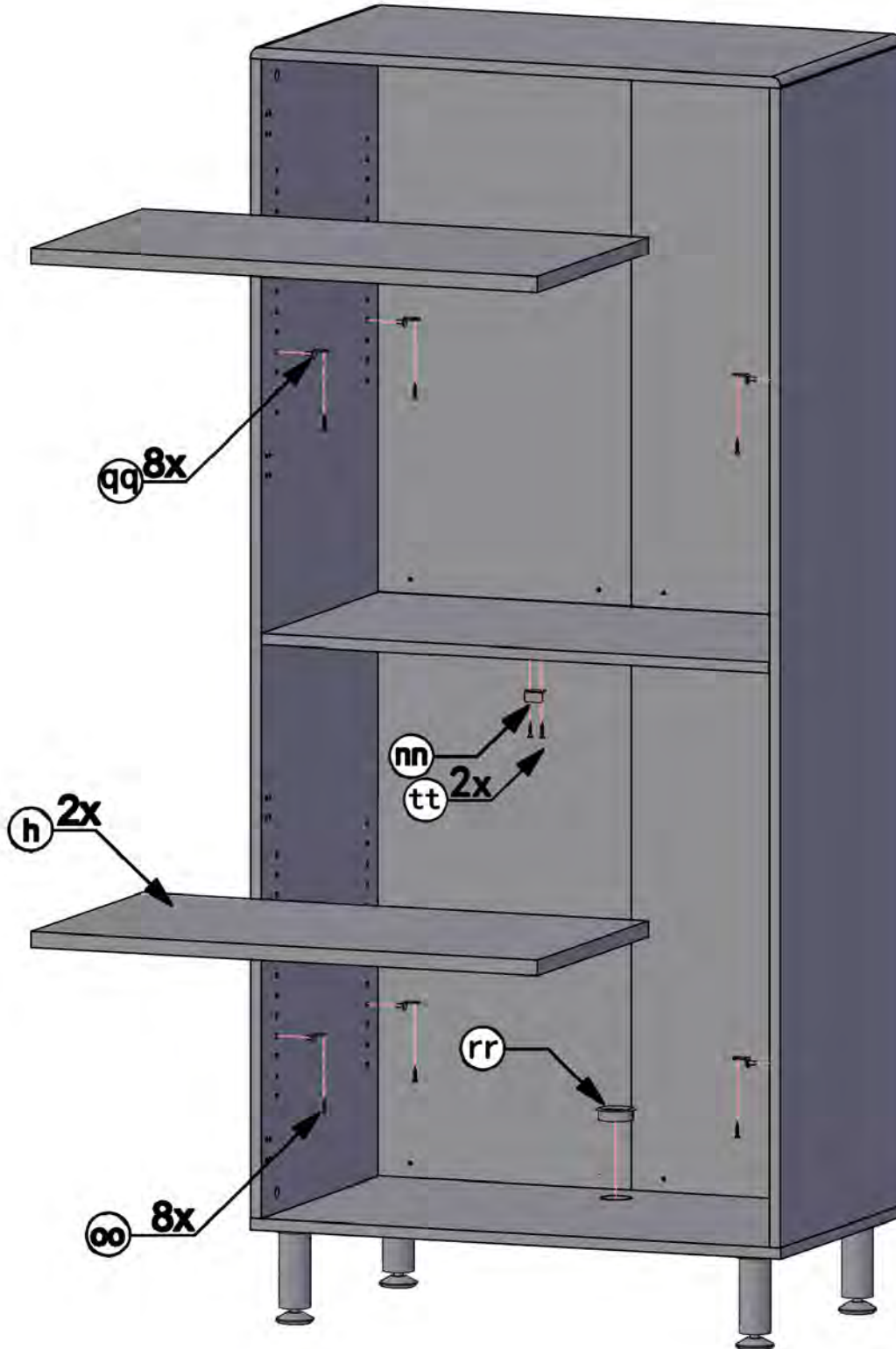
Be very careful lifting cabinet into position.
Do not drag/slide cabinet after installing feet.

STEP 6



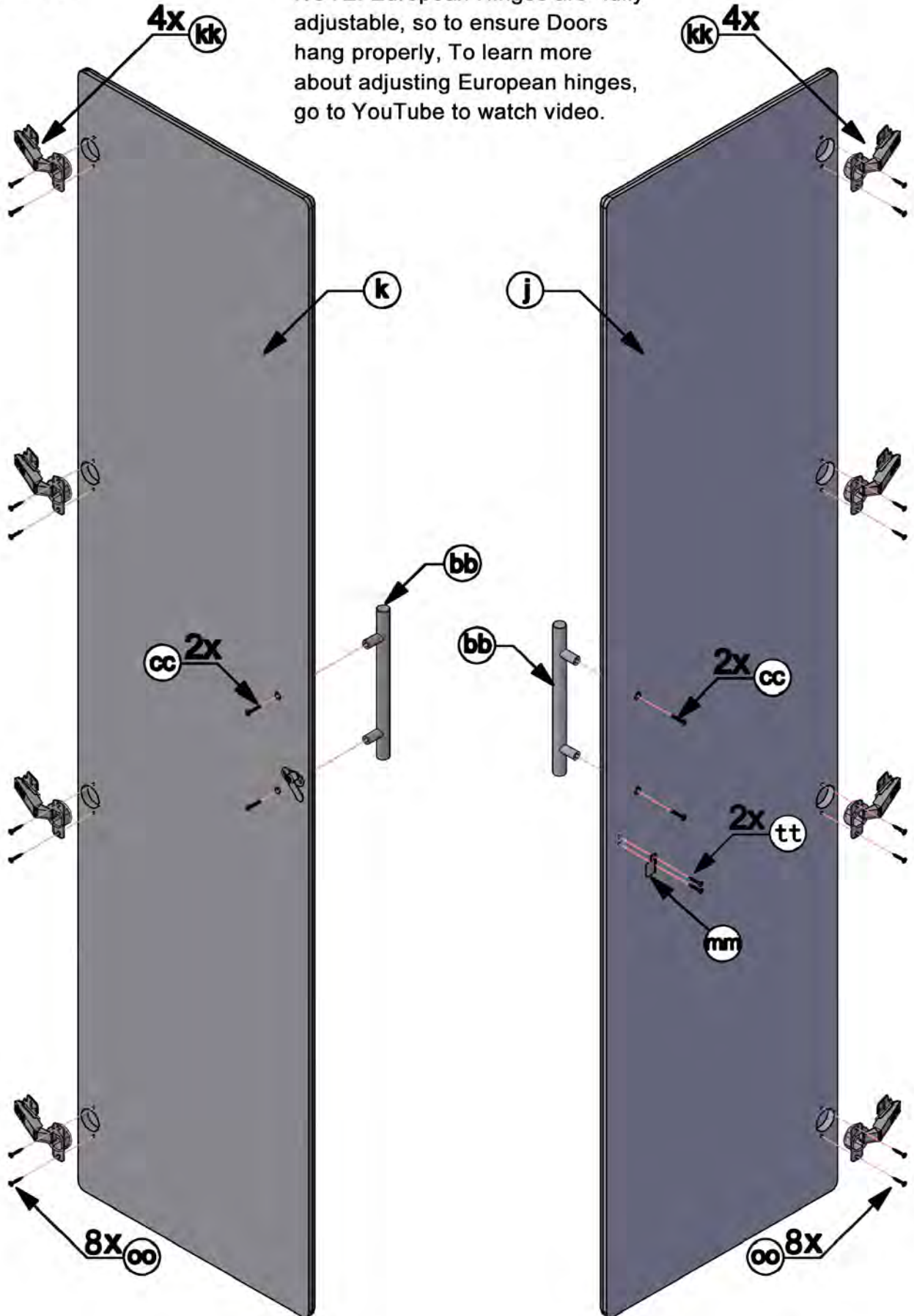
STEP 7

NOTE: Installing Shelf and Doors after cabinet fully lifted off floor and set against wall in position will reduce weight when picking up cabinet. Get Enough Help.

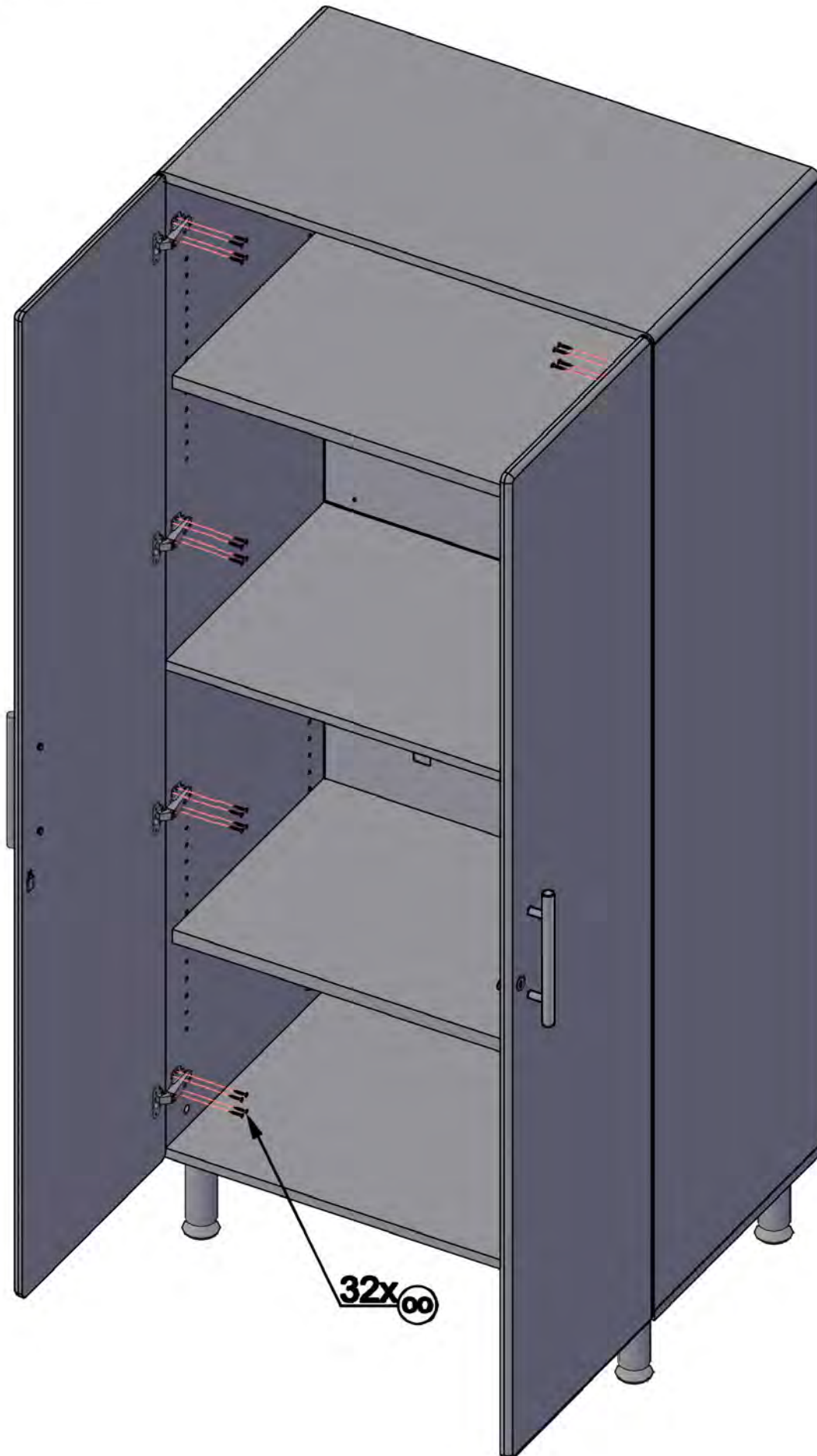


STEP 8

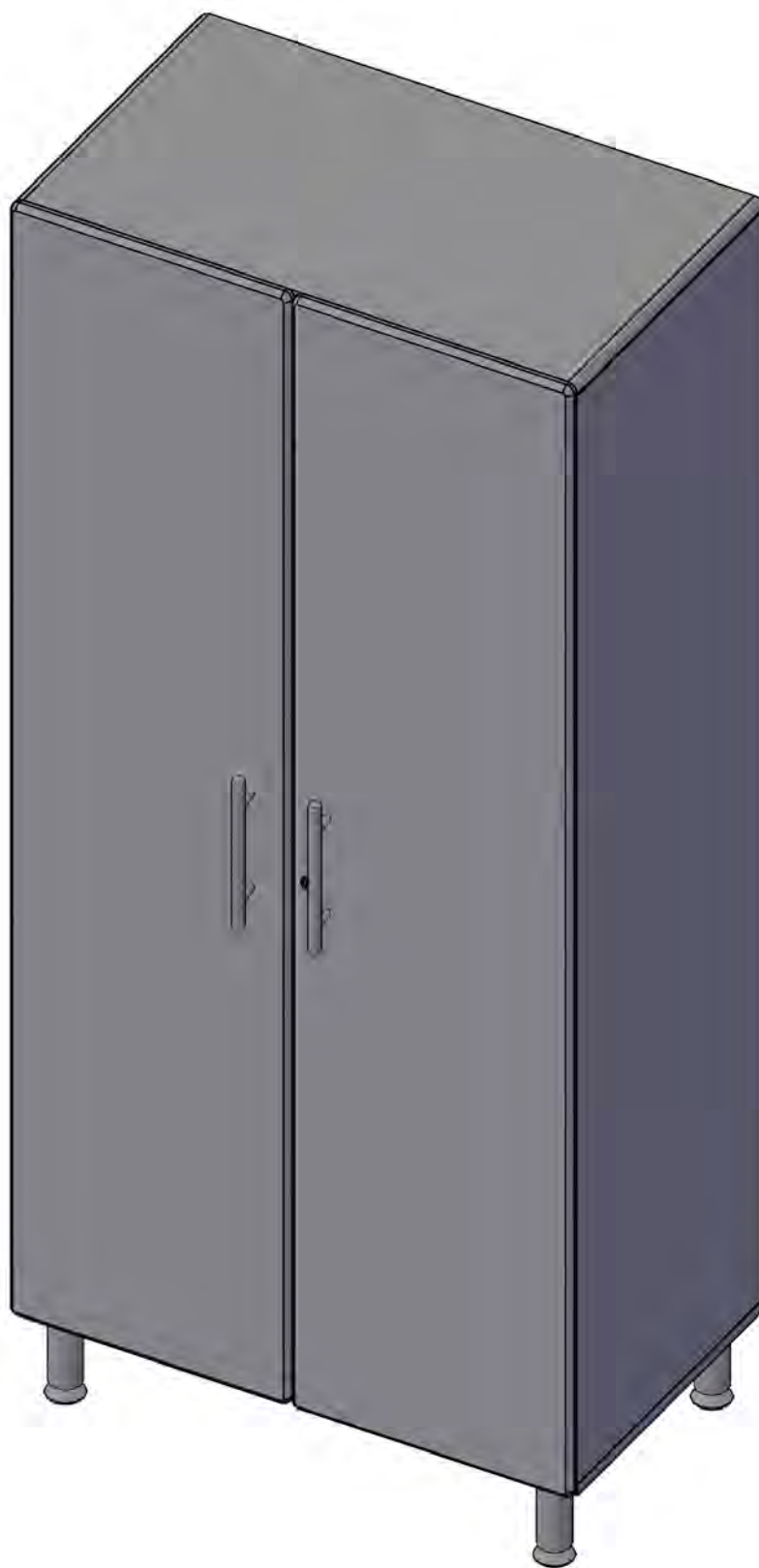
NOTE: European Hinges are "fully" adjustable, so to ensure Doors hang properly, To learn more about adjusting European hinges, go to YouTube to watch video.



STEP 9



STEP 10



Thank you for your purchase of our award-winning products and visit us at: www.ulti-mategarage.com